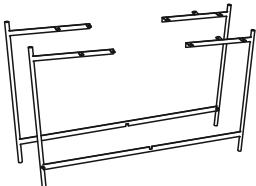
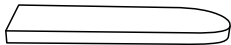
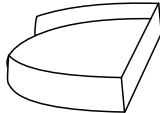
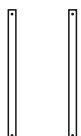
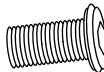





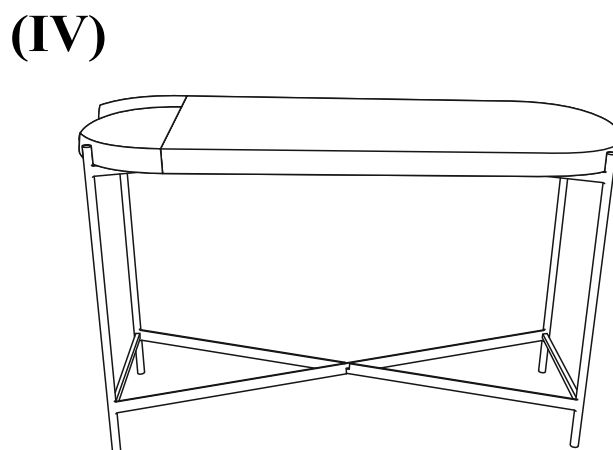
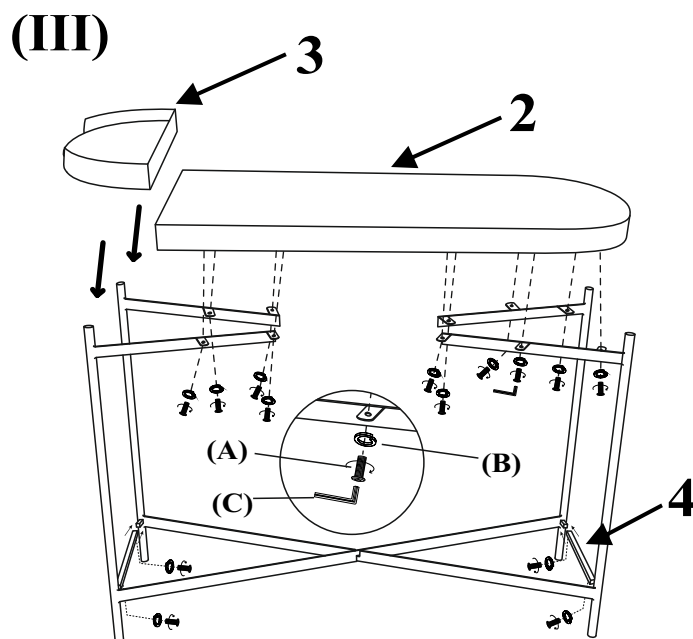
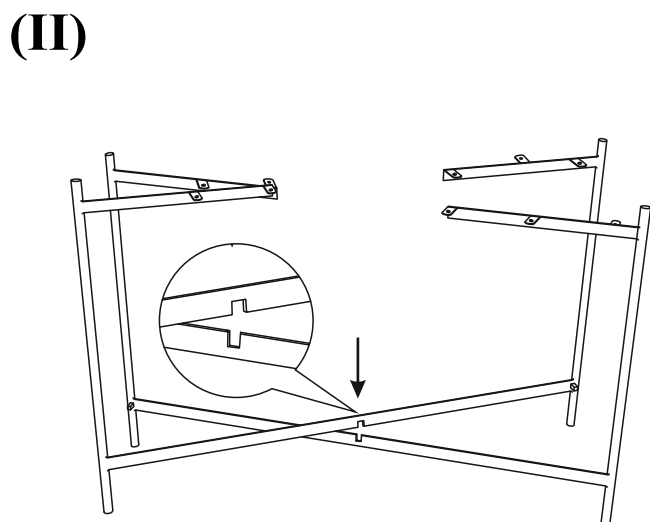
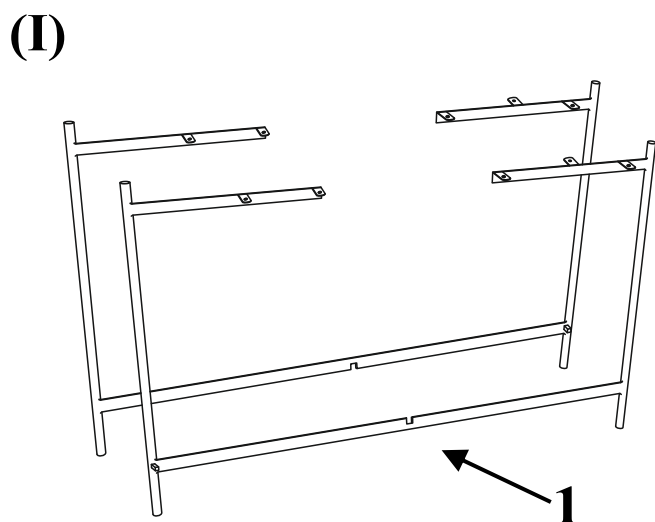
ITEM NAME / NOM D'ITEM: SABER CONSOLE TABLE

ITEM # / NO. ITEM: 109466

PARTS LIST / LISTE DES PIÈCES

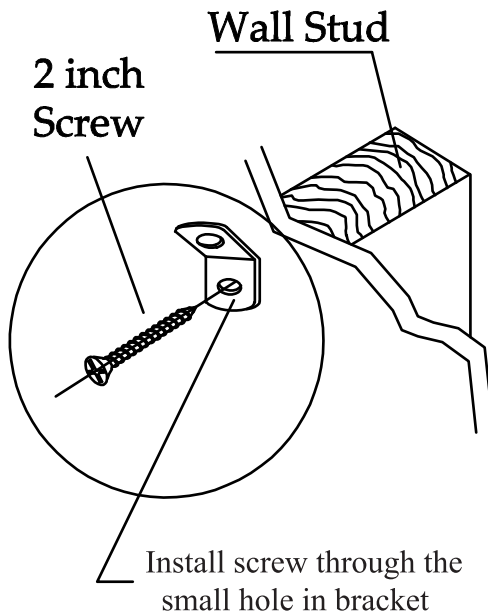
(1)	(2)	(3)	(4)	(5)			
				(A) 	(B) 	(C) 	(D) 
x2	x1	x1	x2	x14	x14	x1	x1

ASSEMBLY INSTRUCTIONS / INSTRUCTIONS D'ASSEMBLAGE



To install the furniture tipping restraint:

1. Determine the approximate location where the console table will be placed. Locate a wall stud.
2. Attach one of the 'L' brackets to the wall stud using the 2" screw through the small hole in the 'L' bracket.
3. Position the console table, then install the strap around the leg of console table and through the 'L' bracket as shown.



Install the strap through the 'L' bracket and around the leg of console table

