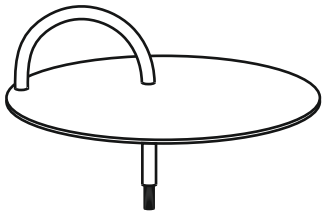


ITEM NAME / NOM D'ITEM: WILL SIDE TABLE
ITEM # / NO. ITEM: 109563

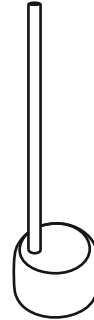
PARTS LIST / LISTE DES PIÈCES

(1)



x1

(2)

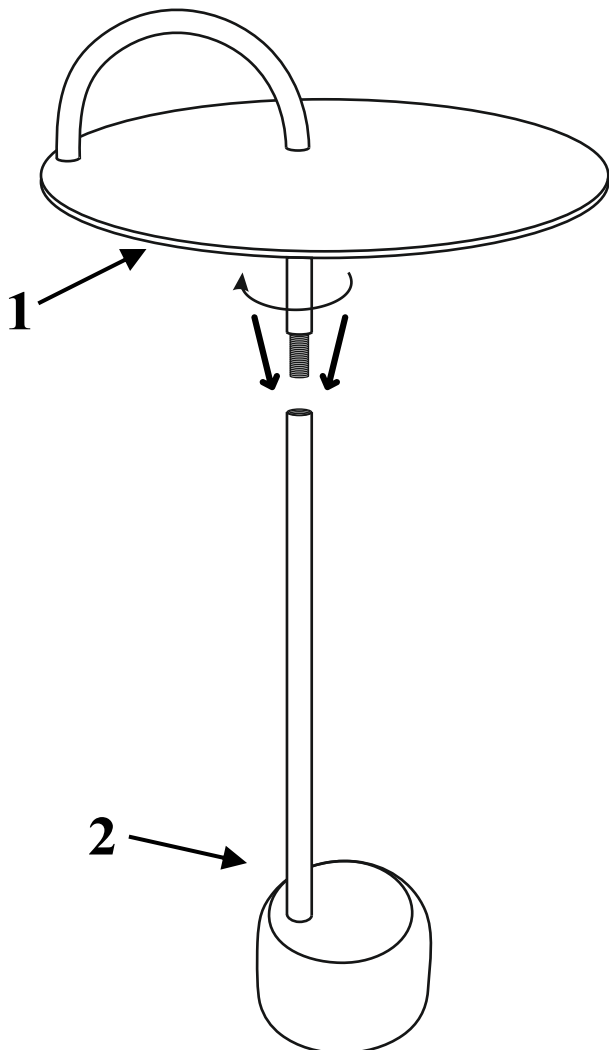


x1

ASSEMBLY INSTRUCTIONS / INSTRUCTIONS D'ASSEMBLAGE

(I)

Put the metal tray (1) into the metal pipe (2) and rotate it in clockwise direction



(II)

