
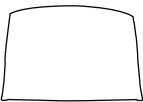











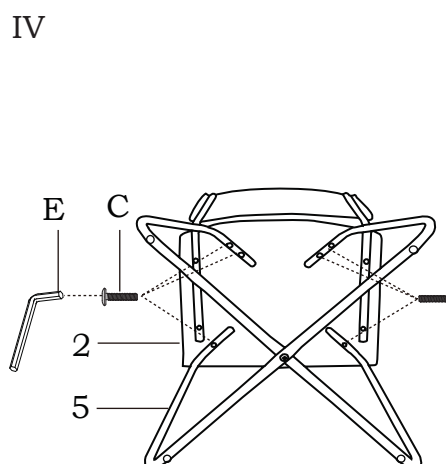
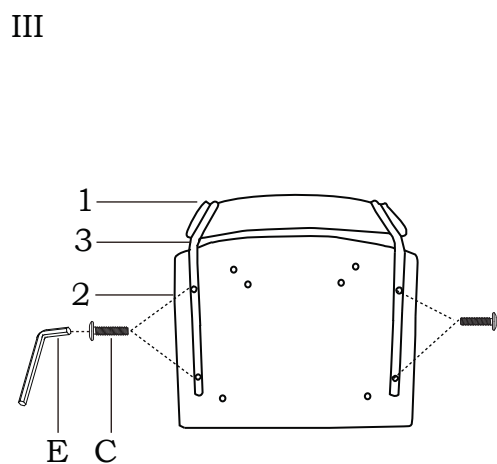
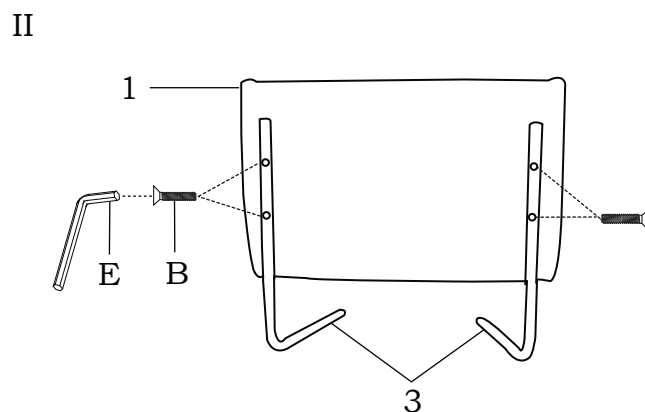
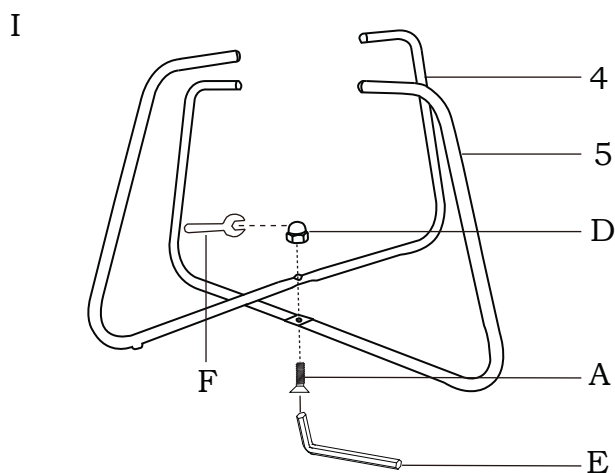
**ITEM NAME/NOM D'ITEM: GRANTHAM DINING CHAIR**

**ITEM #/NO. ITEM: 109599/109601/109602**

## PART LIST/LISTE DES PIÈCES

| (1)  | (2)   | (3)   | (4)   | (5)  | (6)   |
|--|---|---|---|--|---|
|  |  |  |  |  | <p>A  M6x25mm x1</p> <p>B  M6x30mm x4</p> <p>C  M6x30mm x10</p> <p>D  M6 x1</p> <p>E  M5 x1</p> <p>F  10mm x1</p> |
| x1   | x1  | x2  | x1  | x1   |   |

## ASSEMBLY INSTRUCTIONS/INSTRUCTIONS D'ASSEMBLAGE



For missing parts or damaged parts, please call /

Pour pièce manquante ou endommagée, veuillez appeler:

USA, Canada and Mexico: (866) 798-6663