

ITEM NAME / NOM D' ITEM: SMART BARSTOOL

ITEM NUMBER / NO.ITEM : 100507 / 101996 / 109326 / 109327 / 109499

109650 / 109653 / 109682

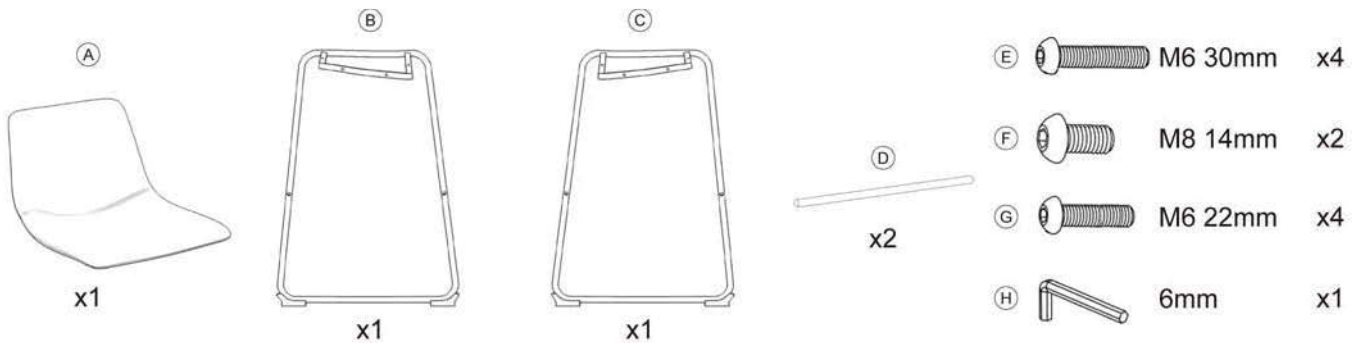
**zuo**<sup>®</sup>

## PARTS LIST / LISTE DES PIÈCES



**QUESTIONS? PROBLEM?** *If you need assistance, please let us help you*

**CONTACT US!** Monday to Friday 6 am to 5 pm PST USA, Canada and Mexico: (866) 798-6663

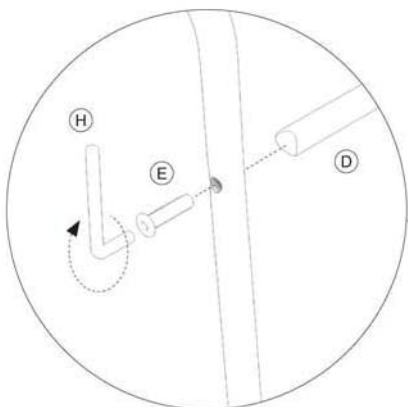
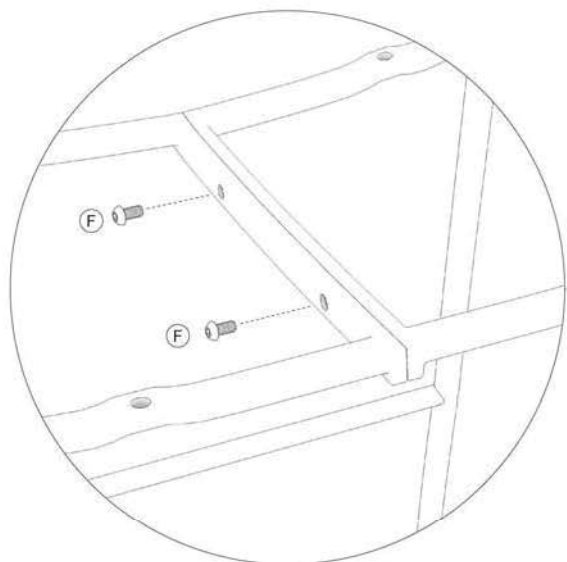


## ASSEMBLY INSTRUCTIONS / INSTRUCTIONS D'ASSEMBLAGE

### Step 1

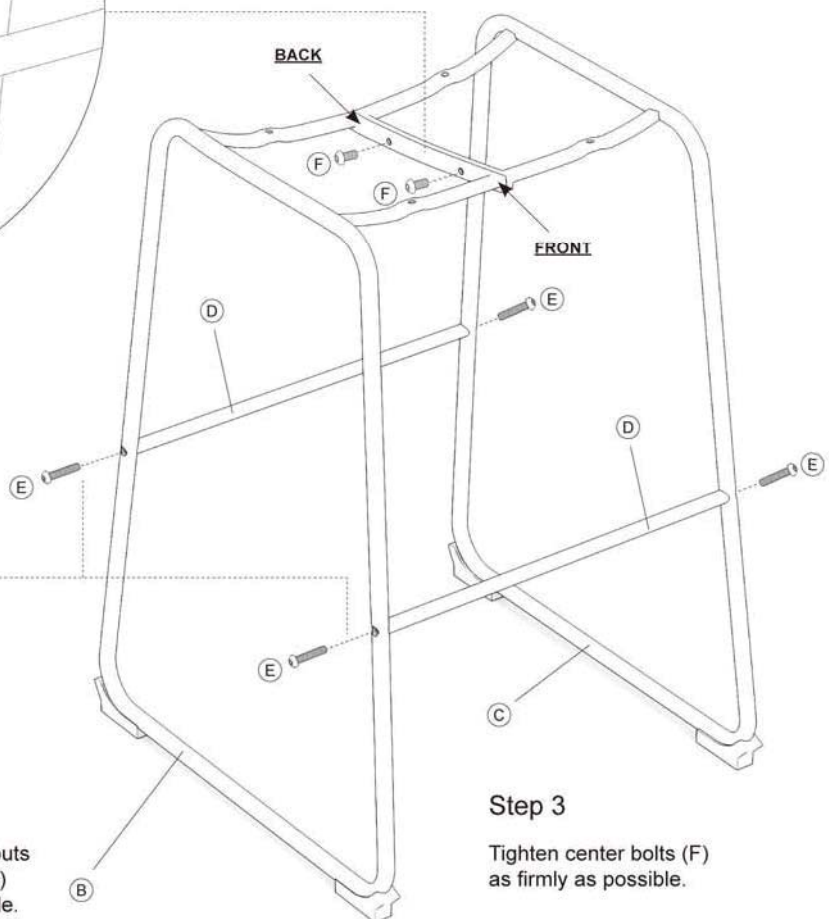
Lay both frames (B) and (C) on a flat surface. Align the two holes in the center bar, and insert the two bolts (F). Do not tighten completely. Note that one bar of the center frame is higher than the other; the "lower" bar is the back side of the seat.

Assembly Video



### Step 2

Align the cross bar (D) with rounded cutouts in (B) and (C) as shown. Tighten bolts (E) with Allen wrench (H) as firmly as possible.

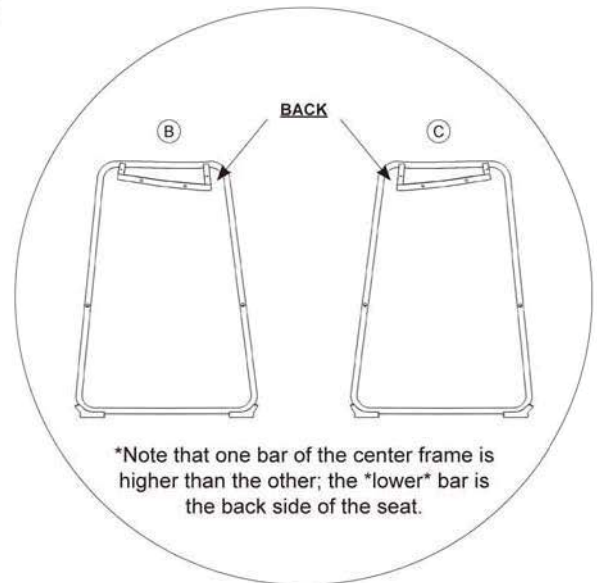
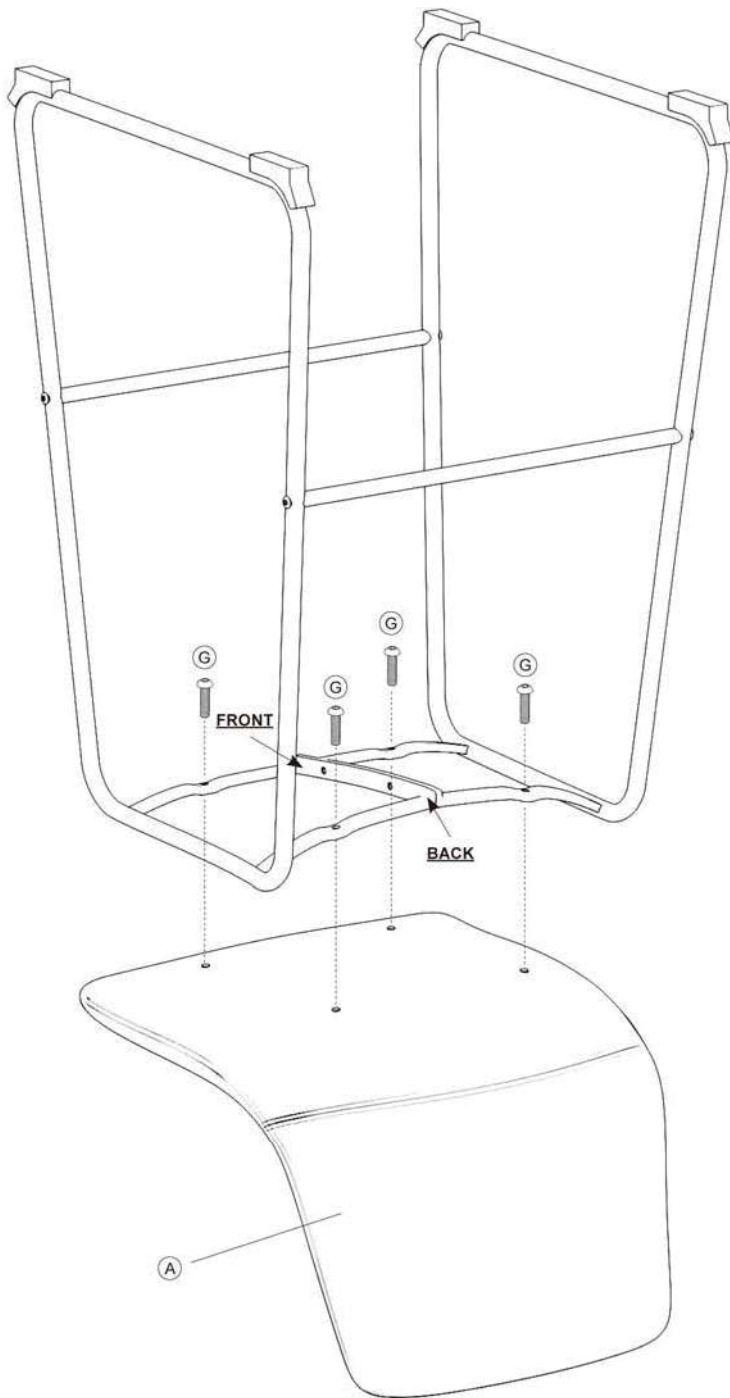


### Step 3

Tighten center bolts (F) as firmly as possible.

## Step 4

Lay seat (A) on a flat and protected surface. Flip the frame from steps 1-3 upside down, and lay it on top of the underside of the seat. Make sure the back of the frame is aligned with the back of the seat. Insert and tighten all four bolts (G).



\*Note that one bar of the center frame is higher than the other; the \*lower\* bar is the back side of the seat.

## Step 5

Turn chair right side up, take a seat, and enjoy.

