
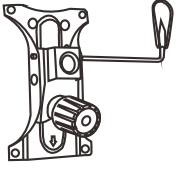

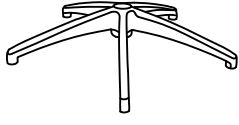
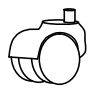


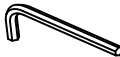


# ITEM NAME /NOM D' ITEM:STACY OFFICE CHAIR

ITEM # /NO. ITEM:102007(WHITE/BLANC)

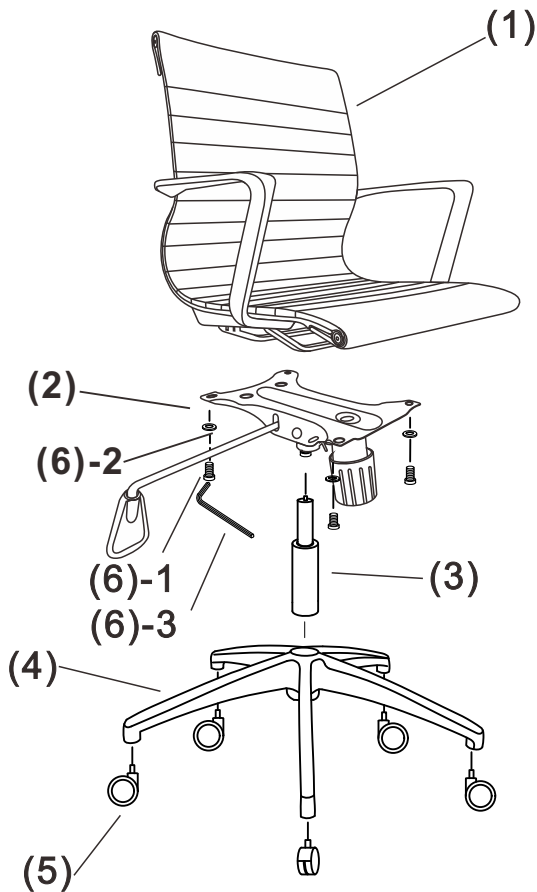
Enquiry:parts@zuomod.com

## PART LIST/Liste des pièces

(1)	(2)	(3)	(4)
 X1	 X1	 X1	 X1
(5)	(6)		
 X5	1、  X4 6X12MM 2、  X4 3、  X1		

## INSTRUCTION

**A**



**B**

