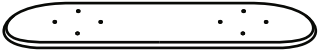
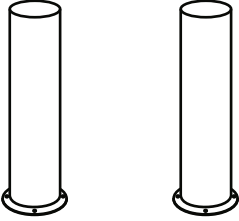
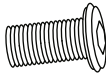
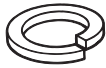

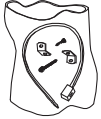


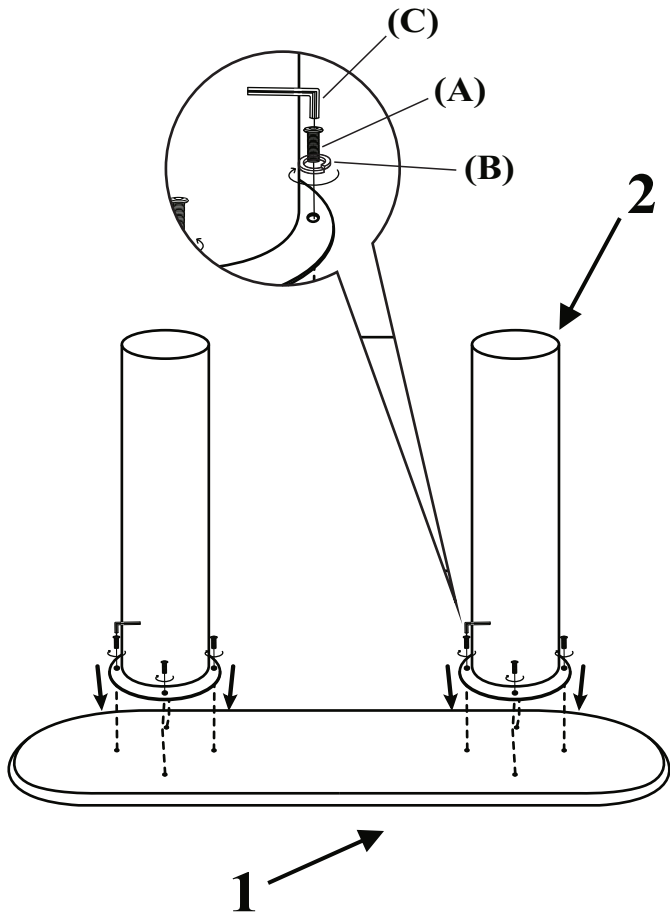
ITEM NAME / NOM D'ITEM: VUITE CONSOLE TABLE
ITEM # / NO. ITEM: 109467

PARTS LIST / LISTE DES PIÈCES

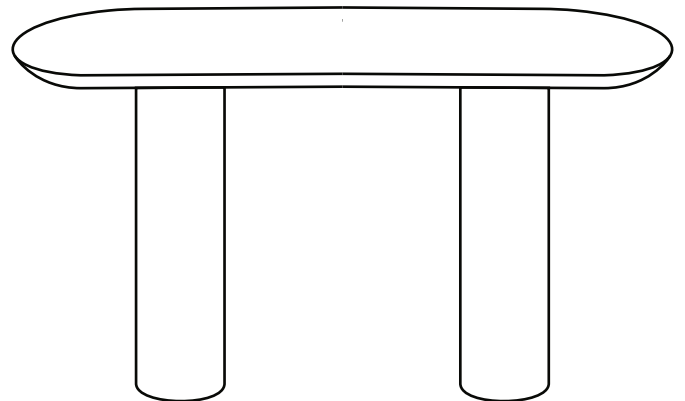
(1)	(2)	(3)			
 <p style="text-align: right;">x1</p>	 <p style="text-align: right;">x2</p>	<p>(A)</p>  <p style="text-align: right;">x8</p>	<p>(B)</p>  <p style="text-align: right;">x8</p>	<p>(C)</p>  <p style="text-align: right;">x1</p>	<p>(D)</p>  <p style="text-align: right;">x1</p> <p style="text-align: right; font-size: small;">Furniture Tipping Restraint</p>

ASSEMBLY INSTRUCTIONS / INSTRUCTIONS D'ASSEMBLAGE

(I)

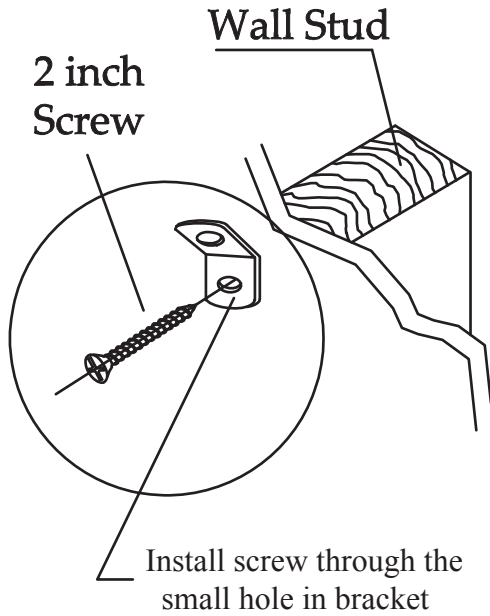


(II)



To install the furniture tipping restraint:

1. Determine the approximate location where the console table will be placed. Locate a wall stud.
2. Attach one of the 'L' brackets to the wall stud using the 2" screw through the small hole in the 'L' bracket.
3. Attach the other 'L' bracket to the wooden top of console table using 5/8" screw through the small hole in the 'L' bracket.
4. Position the console table, then install the strap around the wooden top of console table and through the 'L' bracket as shown.



Install the strap through the 'L' bracket and around the wooden top of console table

