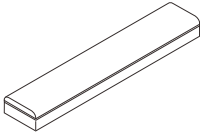
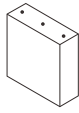
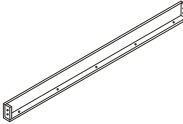
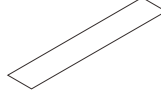






ITEM NAME /NOM D' ITEM: BONKERS STORAGE BENCH

ITEM # /NO. ITEM: 109497

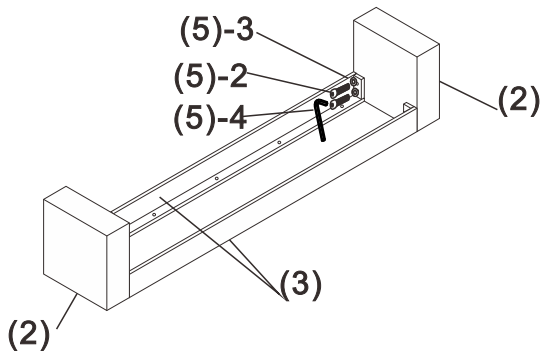
Enquiry: parts@zuomod.com

PART LIST/Liste des pièces

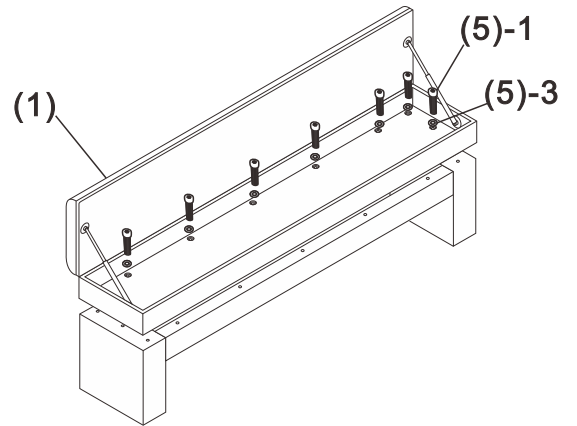
(1)	(2)	(3)	(4)	(5)
 X2	 X4	 X4	 X2	<ol style="list-style-type: none"> X32 M8*30 X16 M8*35 X48 φ 8.5*23 X1 5MM

INSTRUCTION

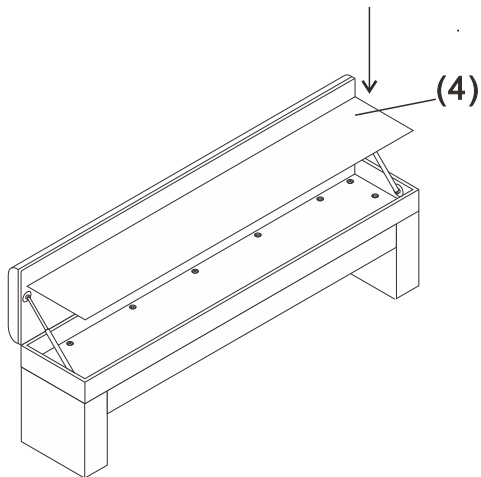
A



B



C



D

