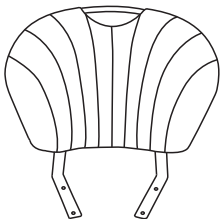
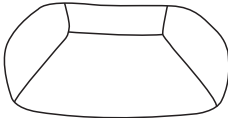
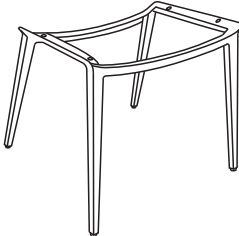





ITEM NAME / NOM D'ITEM: TERRENCE DINING CHAIR

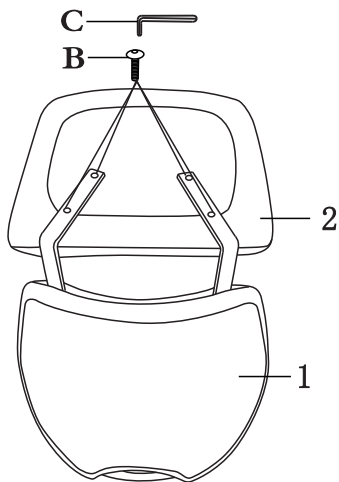
ITEM #/NO. ITEM: 109337/109338

PARTS LIST / LISTE DES PIÈCES

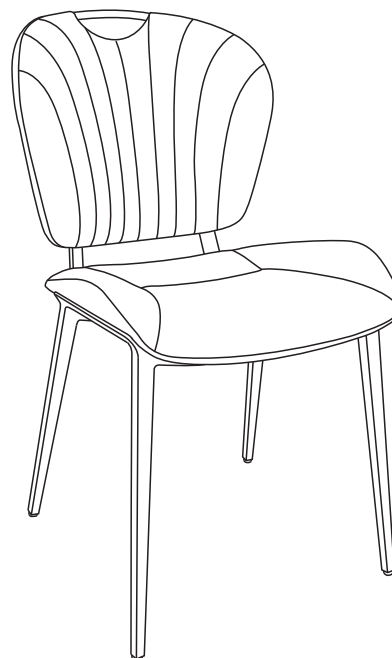
(1)	(2)	(3)	(4)
 <p>x1</p>	 <p>x1</p>	 <p>x1</p>	<p>A.  M6x20mm x4</p> <p>B.  M6x25mm x4</p> <p>C.  6mm x1</p>

ASSEMBLY INSTRUCTIONS / INSTRUCTIONS D'ASSEMBLAGE

I.



III.



II.

