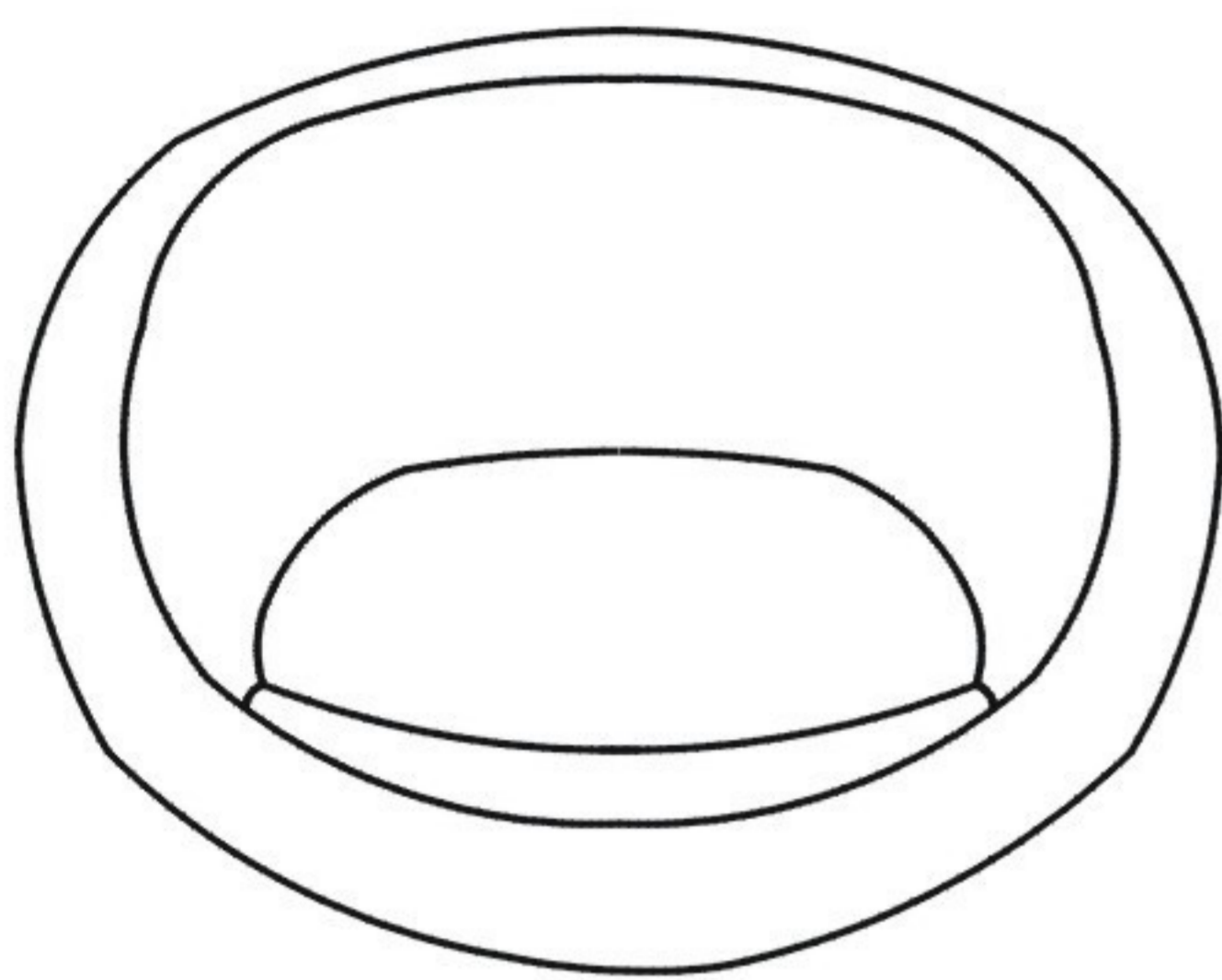

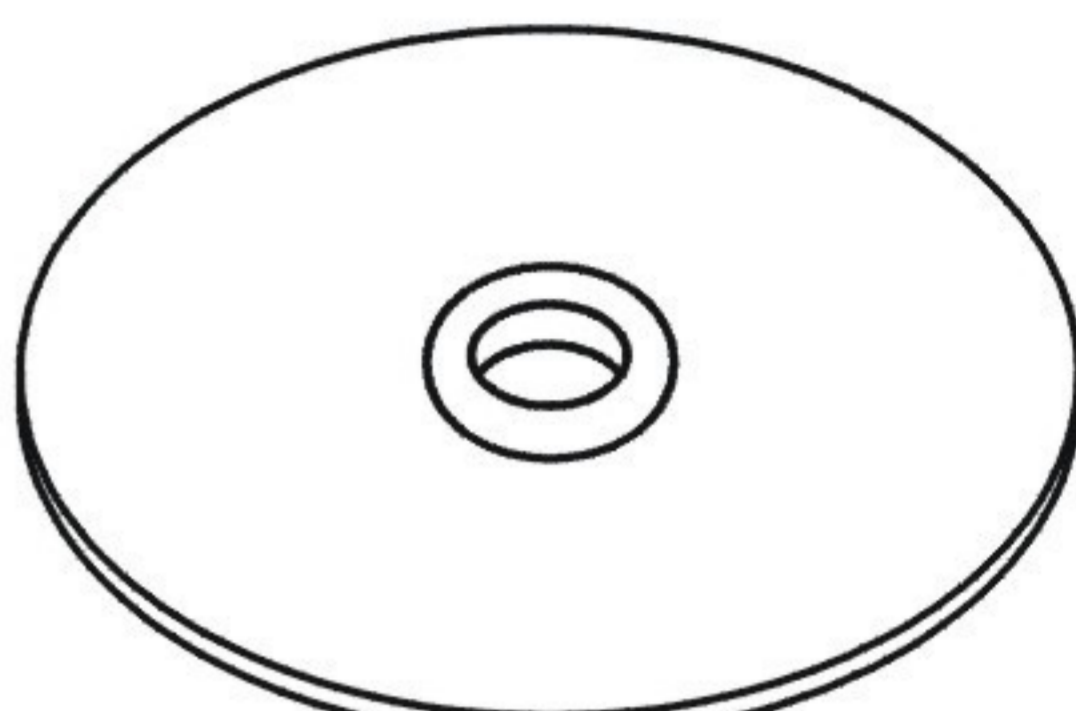


ITEM NAME /NOM D' ITEM:LUND ARM CHAIR

ITEM # /NO. ITEM:500320 (CARNELIAN RED) 500321 (IRON GRAY)
500322 (ISLAND BLUE)
500323 (PISTACHIO GREEN)

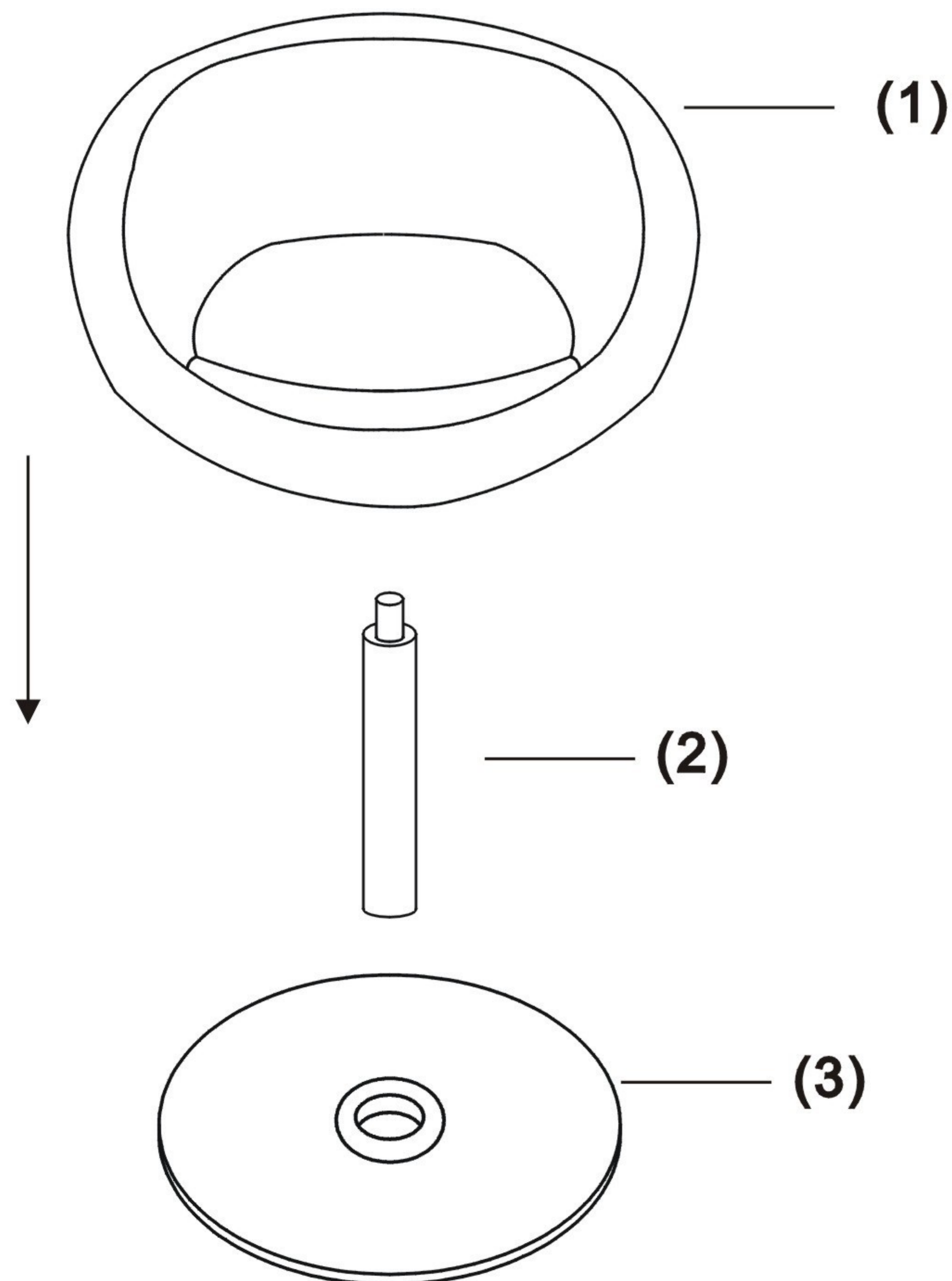
Enquiry:parts@zuomod.com

PART LIST/Liste des pièces

(1)	(2)	(3)
 <p>X1</p>	 <p>X1</p>	 <p>X1</p>

INSTRUCTION

A



B

