

ITEM NAME /NOM D' ITEM:PORI ARM CHAIR

ITEM # /NO. ITEM:500309 (CARNELIAN RED) 500310 (IRON GRAY)

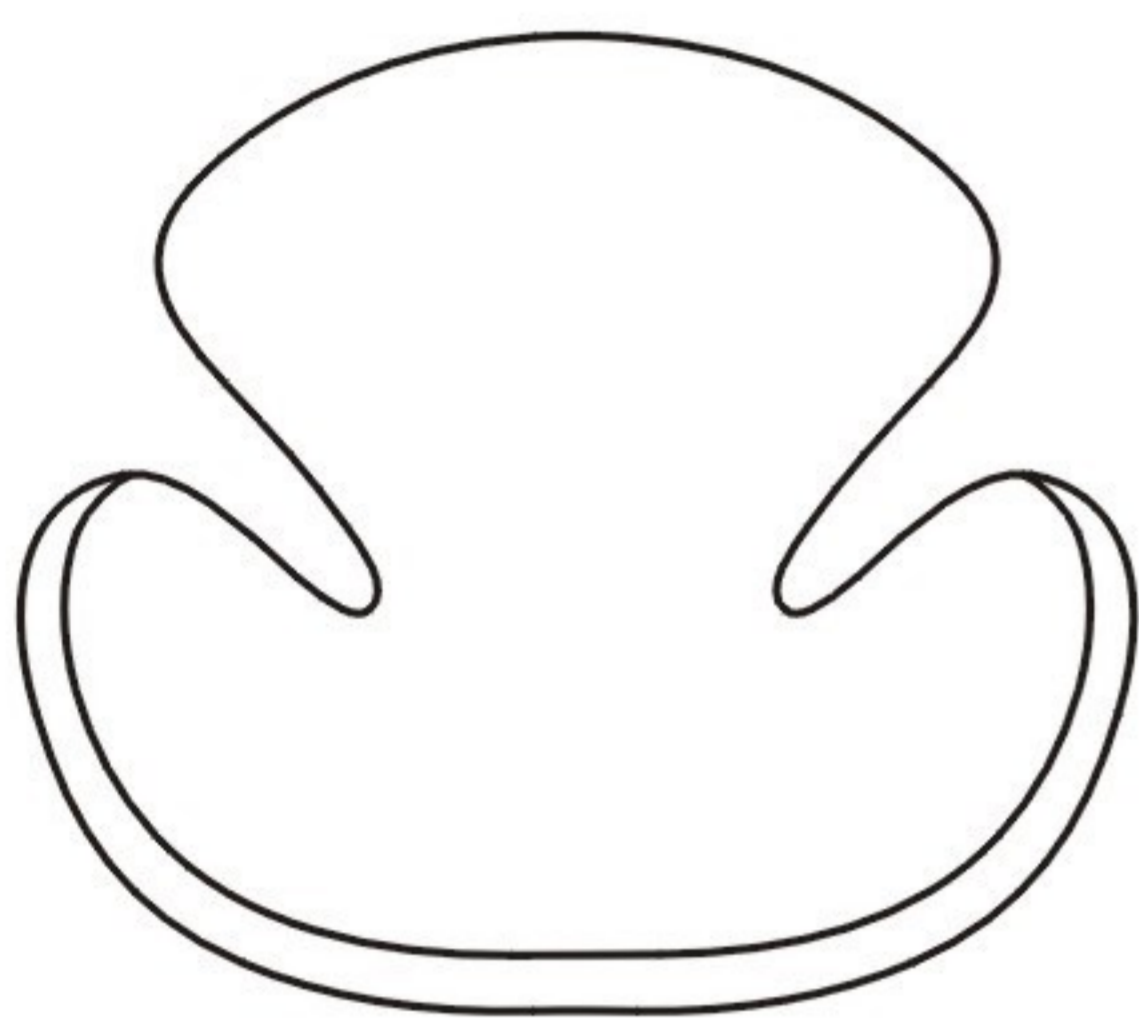

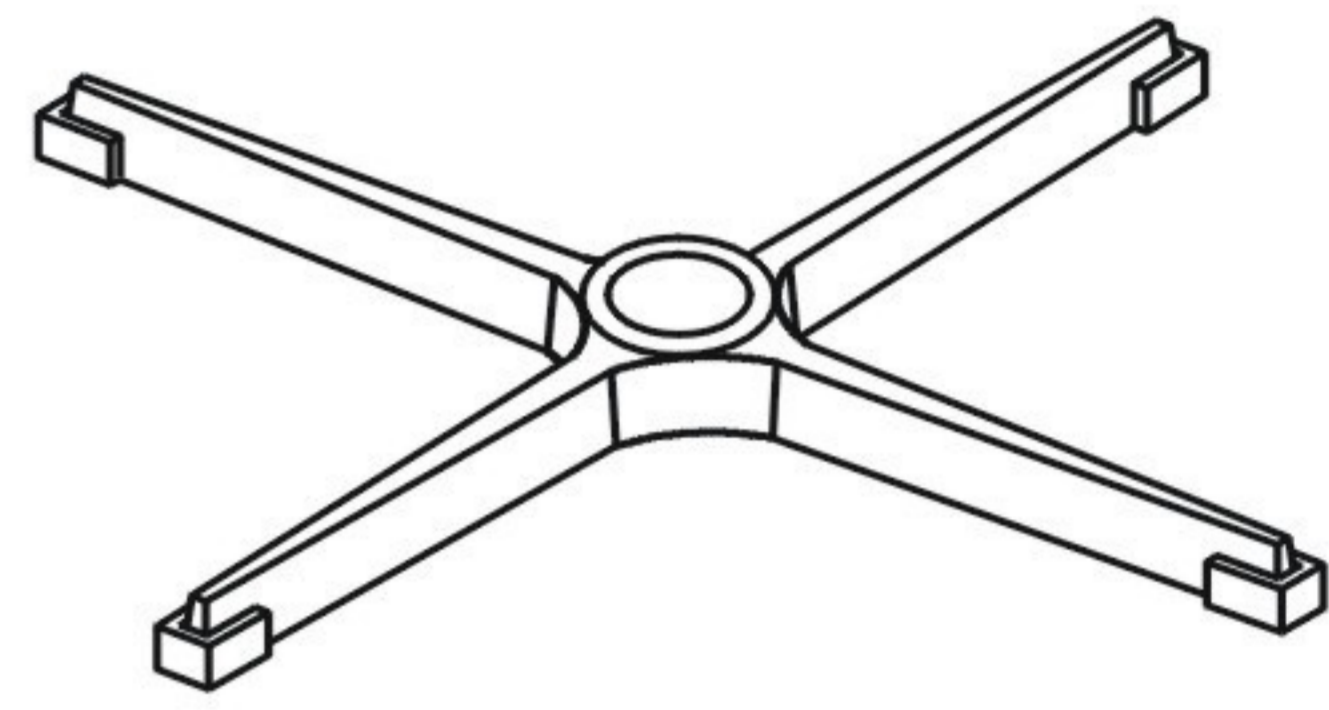
500311 (ISLAND BLUE)

500312 (PISTACHIO GREEN)

500314 (WHITE/BLANC)

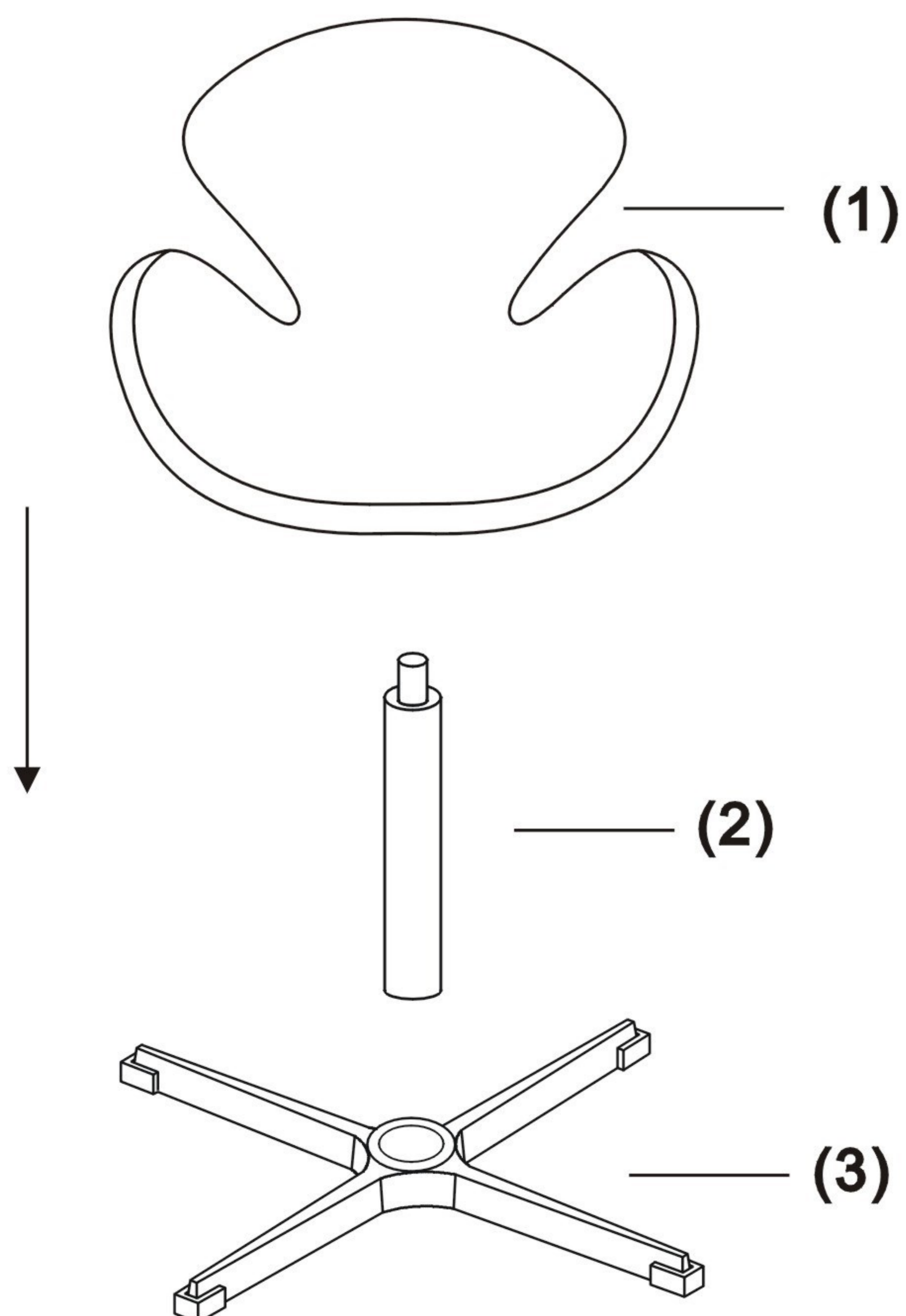
Enquiry:parts@zuomod.com

PART LIST/Liste des pièces

(1)	(2)	(3)
 <p data-bbox="630 1246 703 1305">X1</p>	 <p data-bbox="1270 1246 1344 1305">X1</p>	 <p data-bbox="1984 1246 2058 1305">X1</p>

INSTRUCTION

A



B

