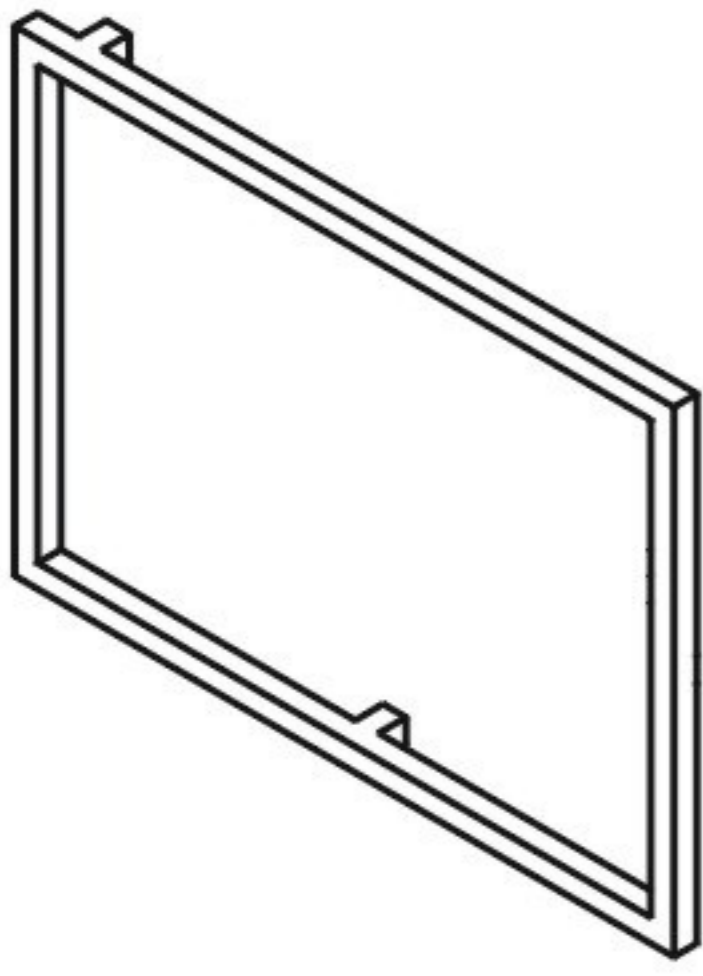
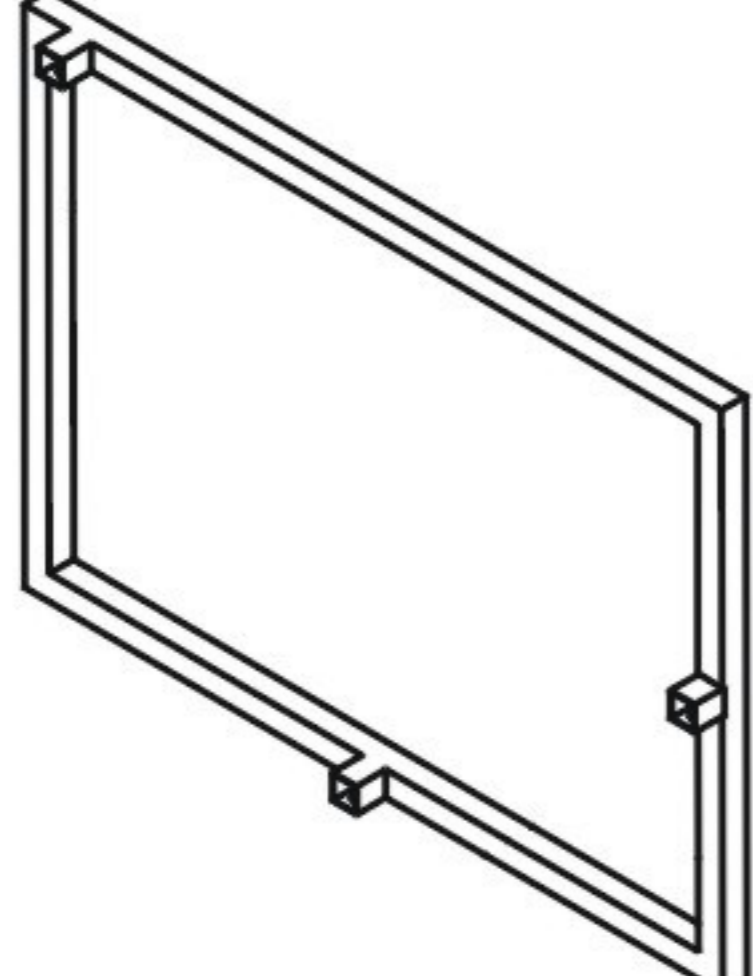
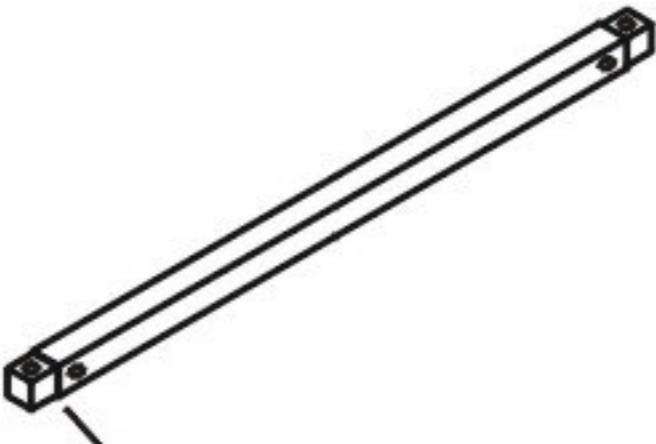
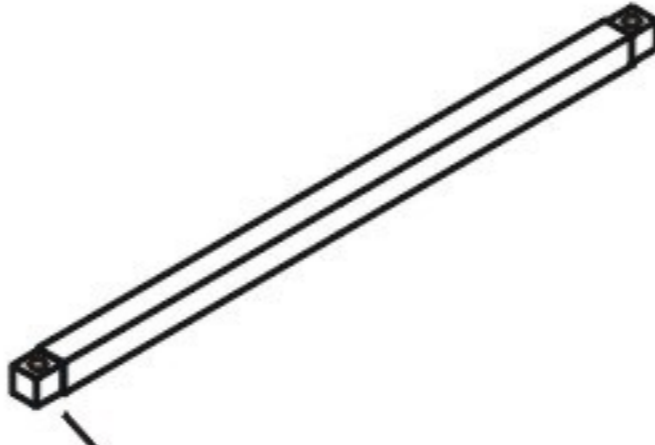
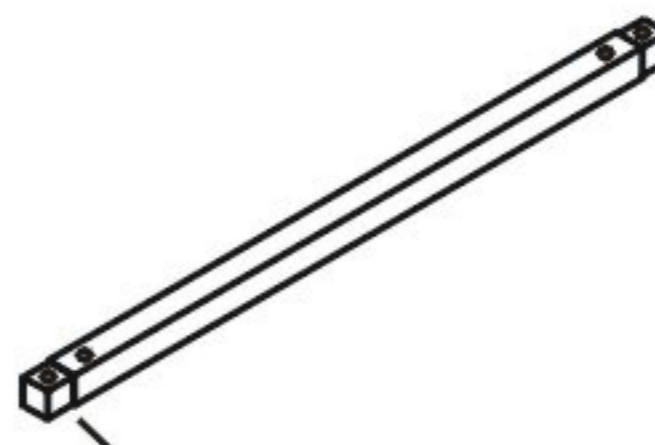







ITEM NAME /NOM D' ITEM:CARBON CHAIR

ITEM # /NO. ITEM:500073 (BLACK/NOIR) 500074 (WHITE/BLANC)

Enquiry:parts@zuomod.com

PART LIST/Liste des pièces

(1)	(2)	(3)	(4)	(5)	(6)
					1.  X6 8*12mm 2.  X4 8*45mm 3.  X1 4.  X4 5.  X4
X1	X1	X1	X1	X1	

INSTRUCTION

