

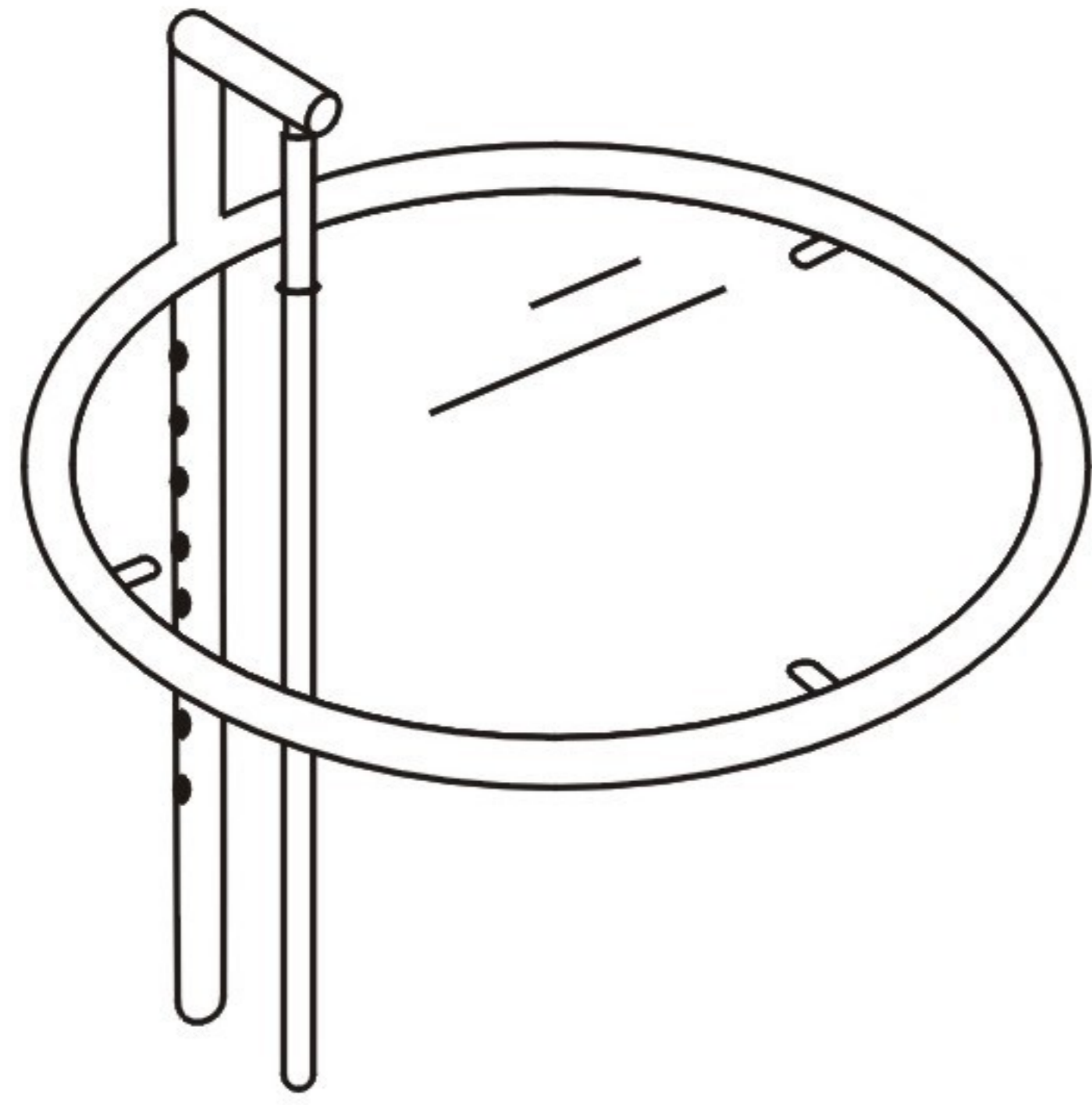
ITEM NAME /NOM D' ITEM:EILEEN GREY

ITEM # /NO. ITEM:401138

Enquiry:parts@zuomod.com

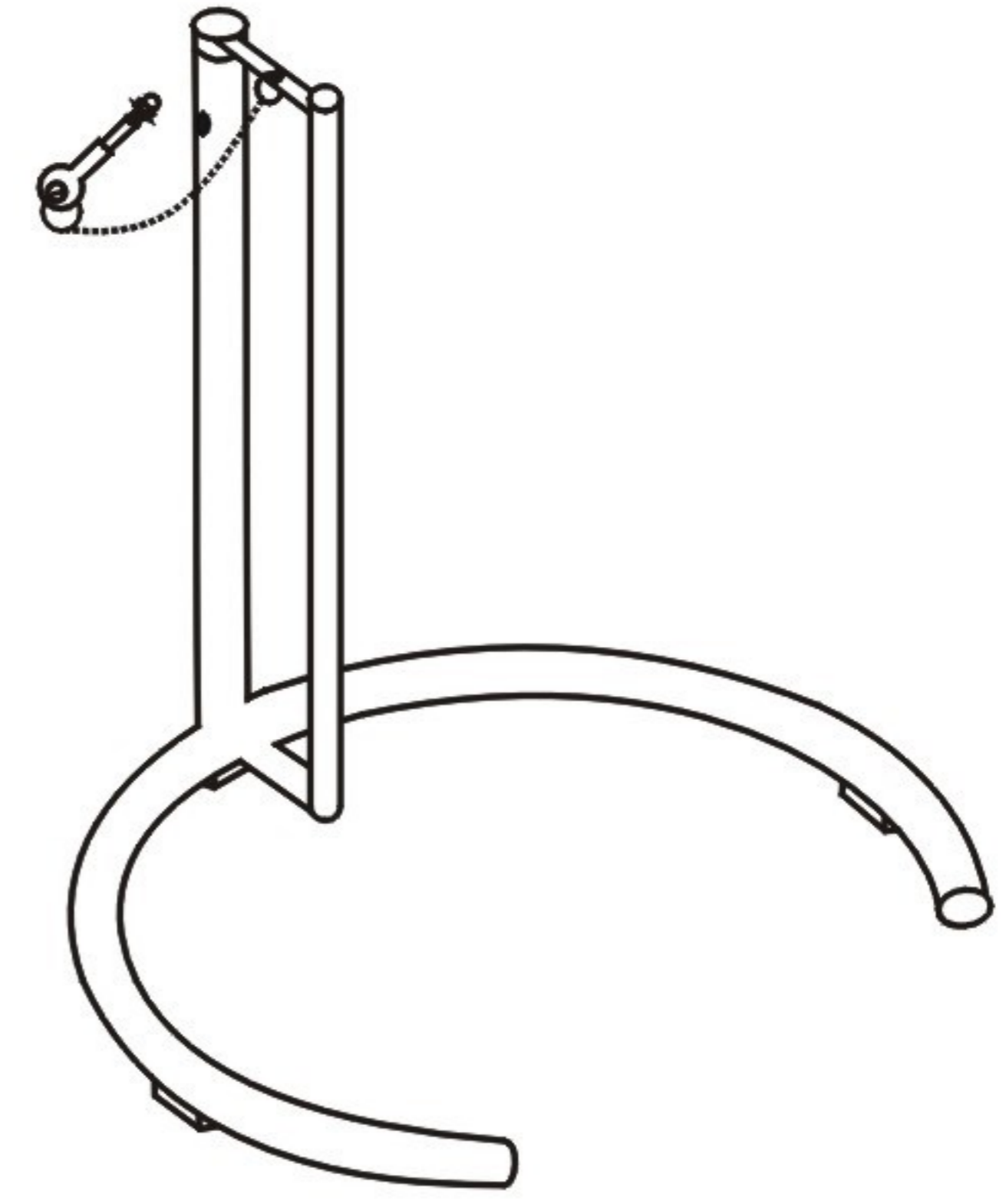
PART LIST/Liste des pièces

(1)



X1

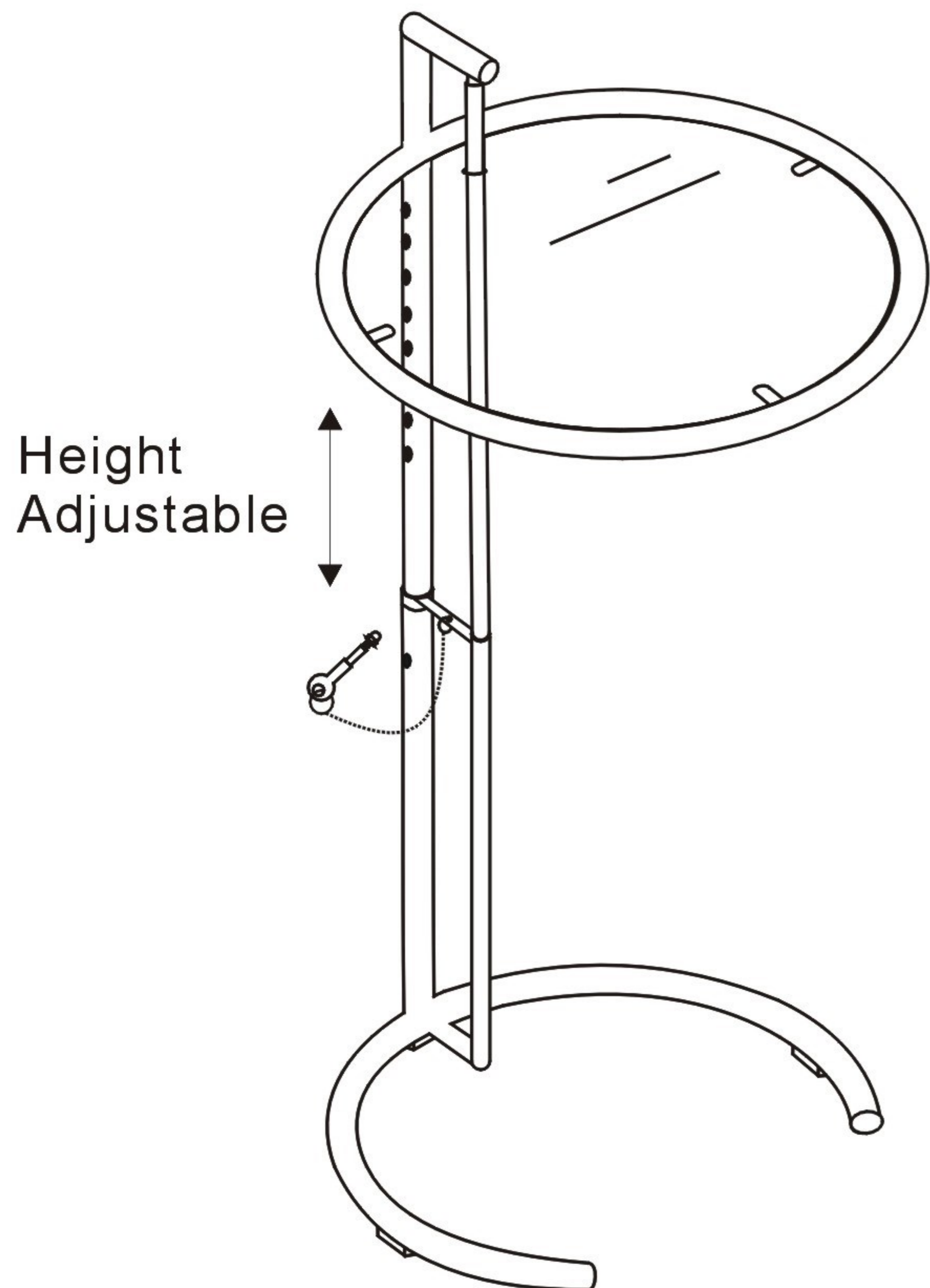
(2)



X1

INSTRUCTION

A



B

