

# ITEM NAME /NOM D' ITEM:CRISS CROSS BARSTOOL



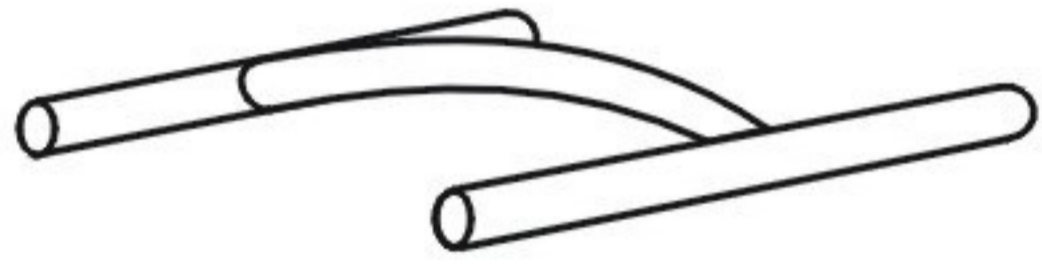




ITEM # /NO. ITEM:333070 (ESPRESSO/EXPRESSO)

333071 (WHITE/BLANC)

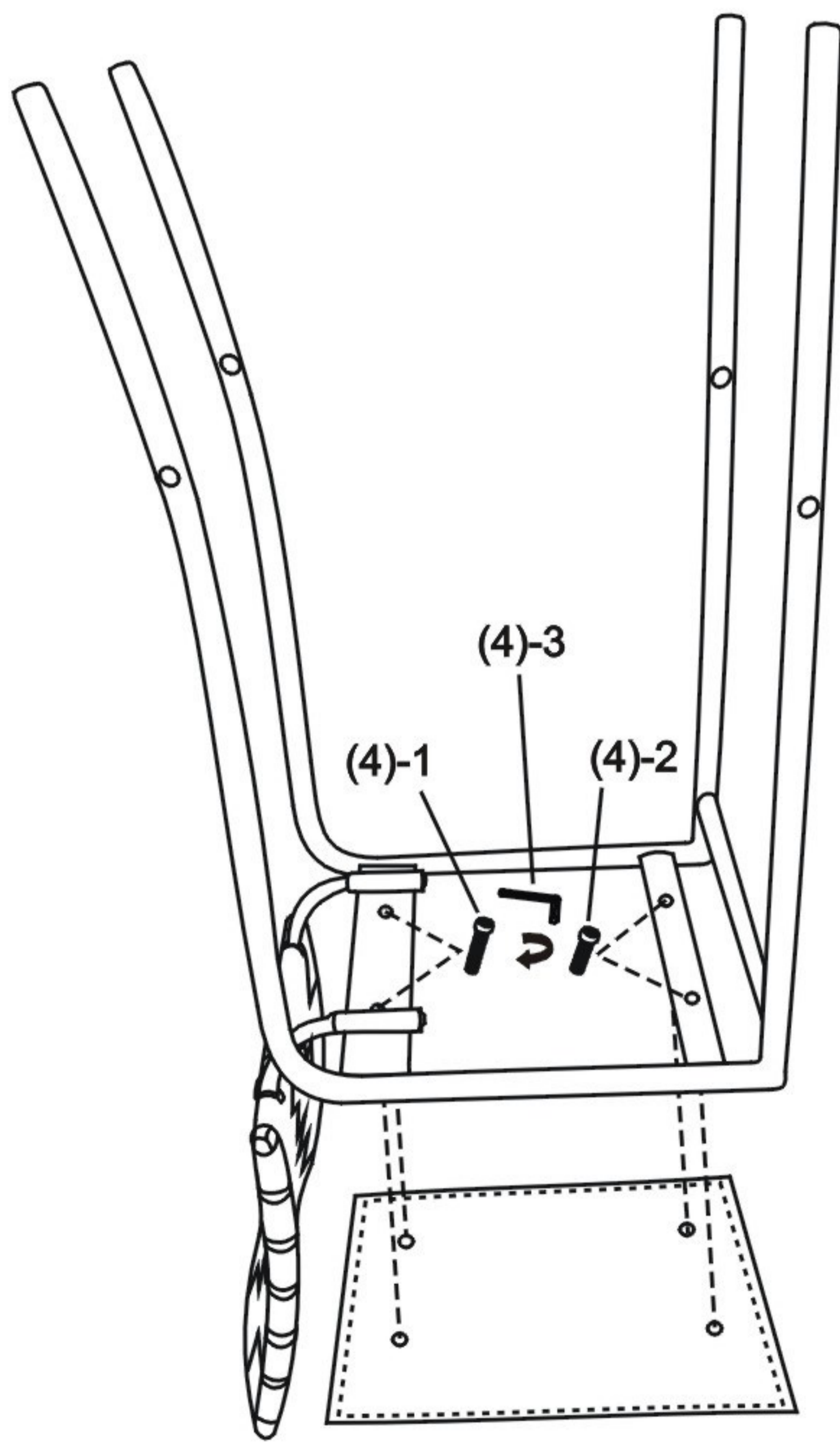
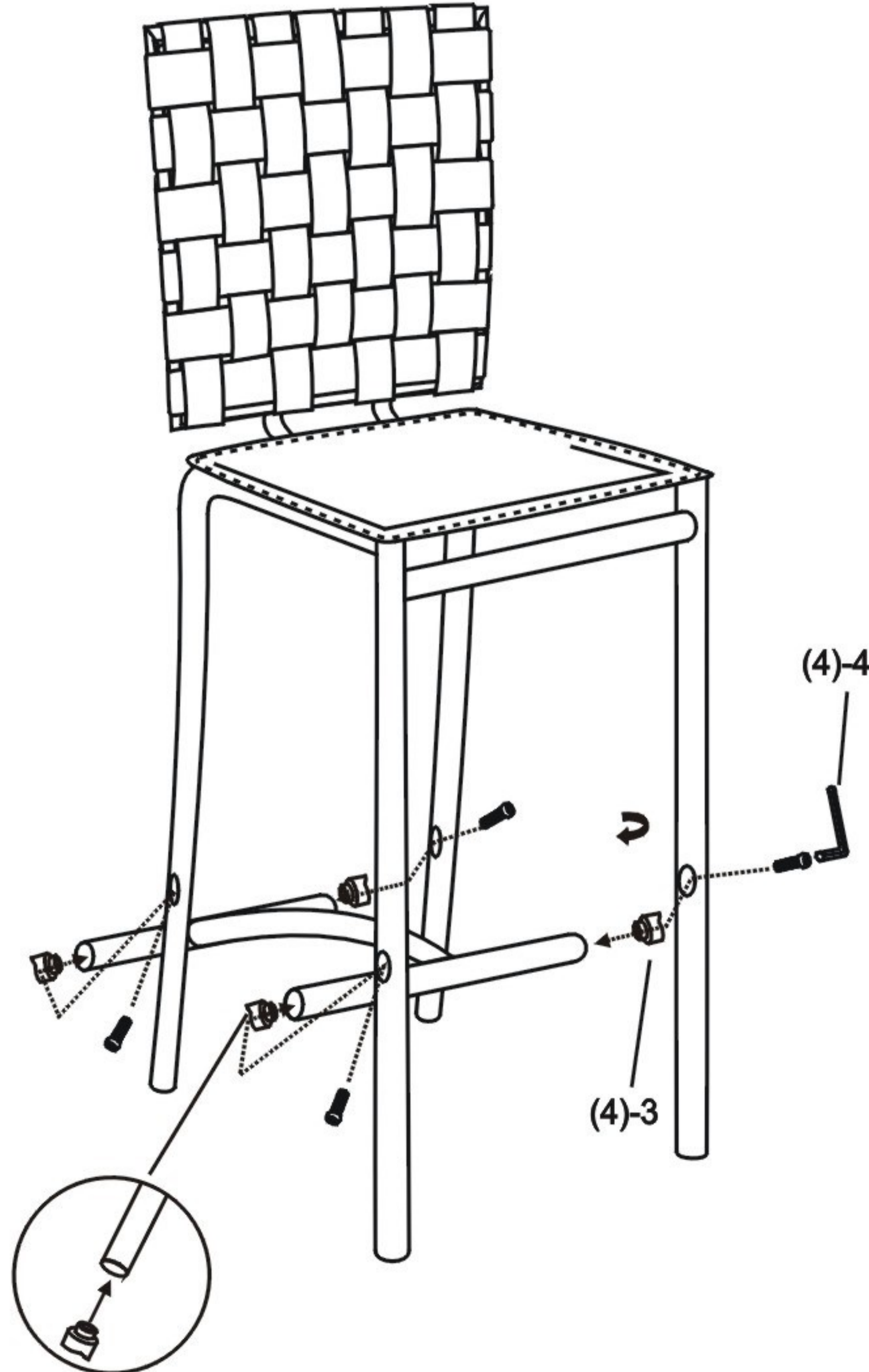
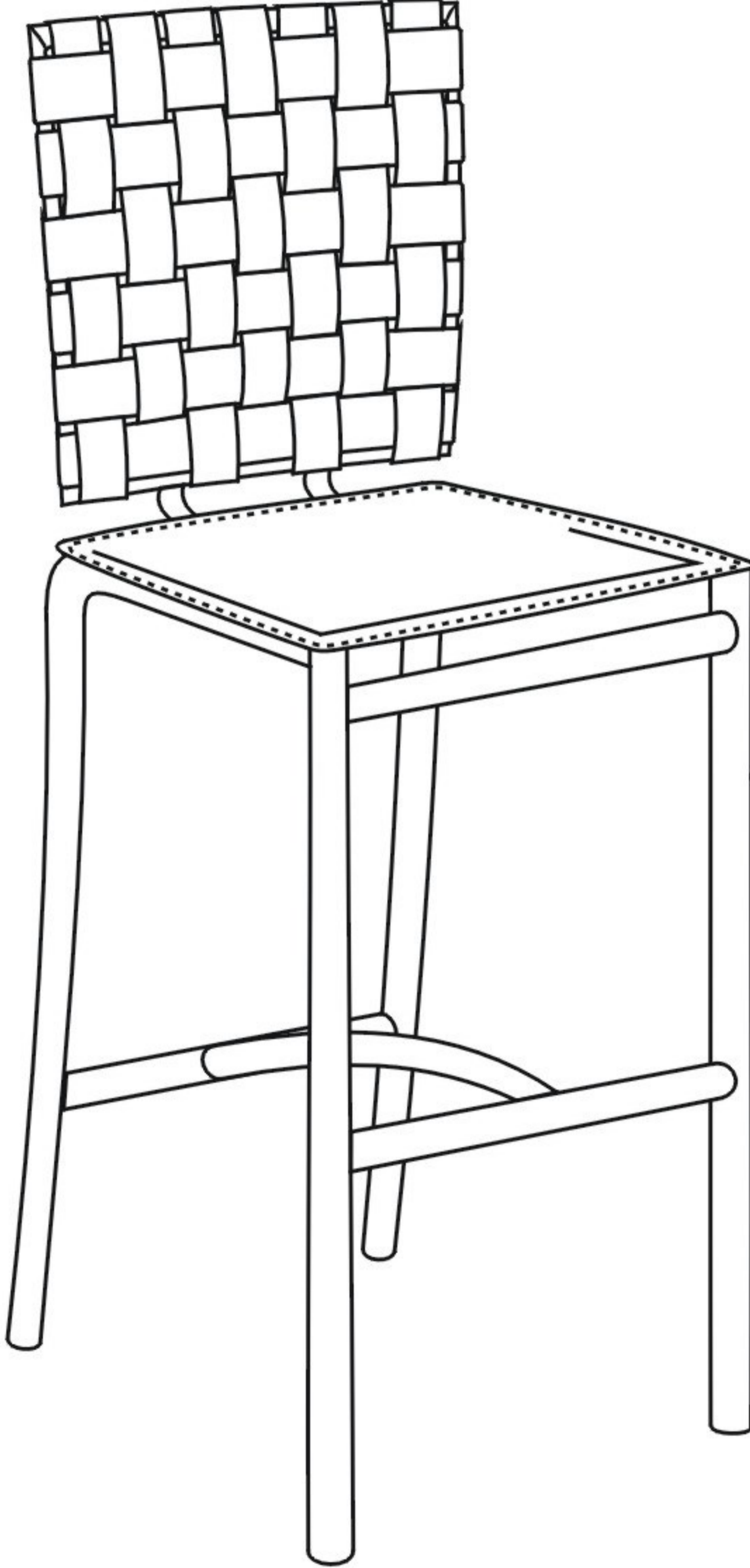
333072 (BLACK/NOIR) 333073 (RED/ROUGE)

Enquiry:parts@zuomod.com

## PART LIST/Liste des pièces

| (1)  | (2)  | (3)  | (4)  |
|--|--|--|--|
| <br>X1 | <br>X1 | <br>X1 | <ol style="list-style-type: none"><li> X2 6*25mm</li><li> X6 6*20mm</li><li> X4</li><li> X1</li></ol> |

## INSTRUCTION

|  |  |   |
|--|--|---|
| <p><b>A</b></p>  | <p><b>B</b></p>  | <p><b>C</b></p>  |
|--|--|---|