

# ITEM NAME /NOM D' ITEM:UPPSALA COUNTER STOOL

ITEM # /NO. ITEM:300336 (TOBACCO)

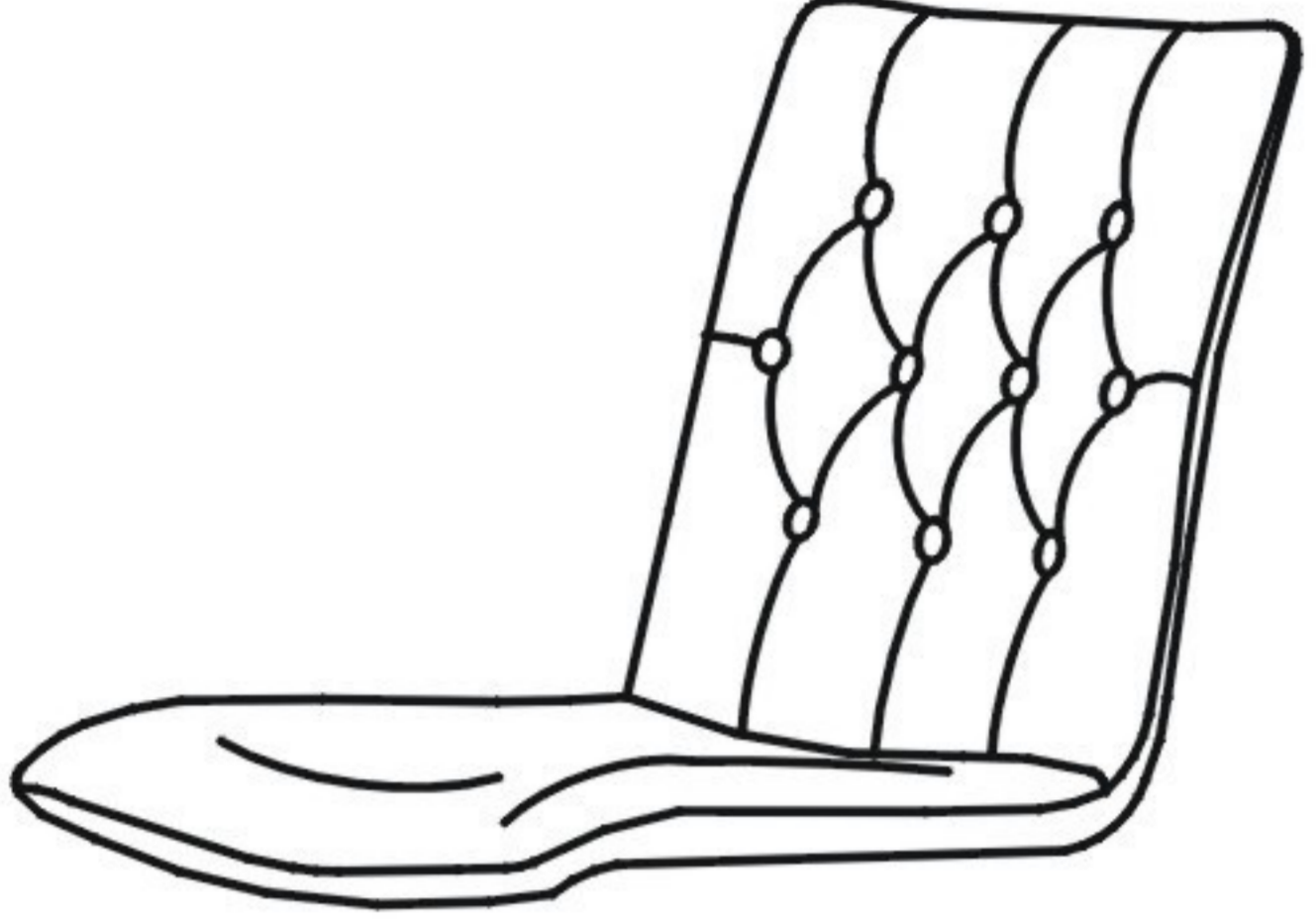

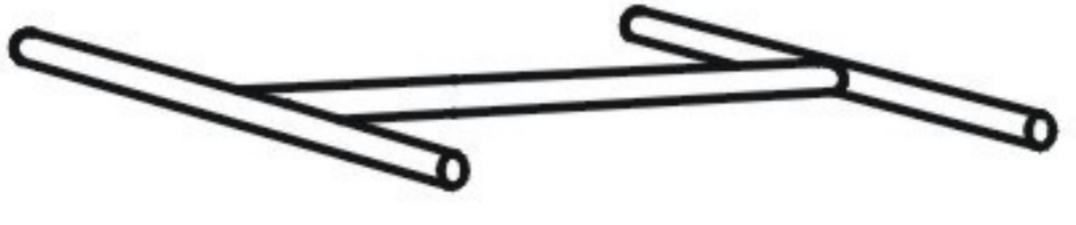






300337 (TANGERINE)

300338 (GRAPHITE)

300339 (PEA)

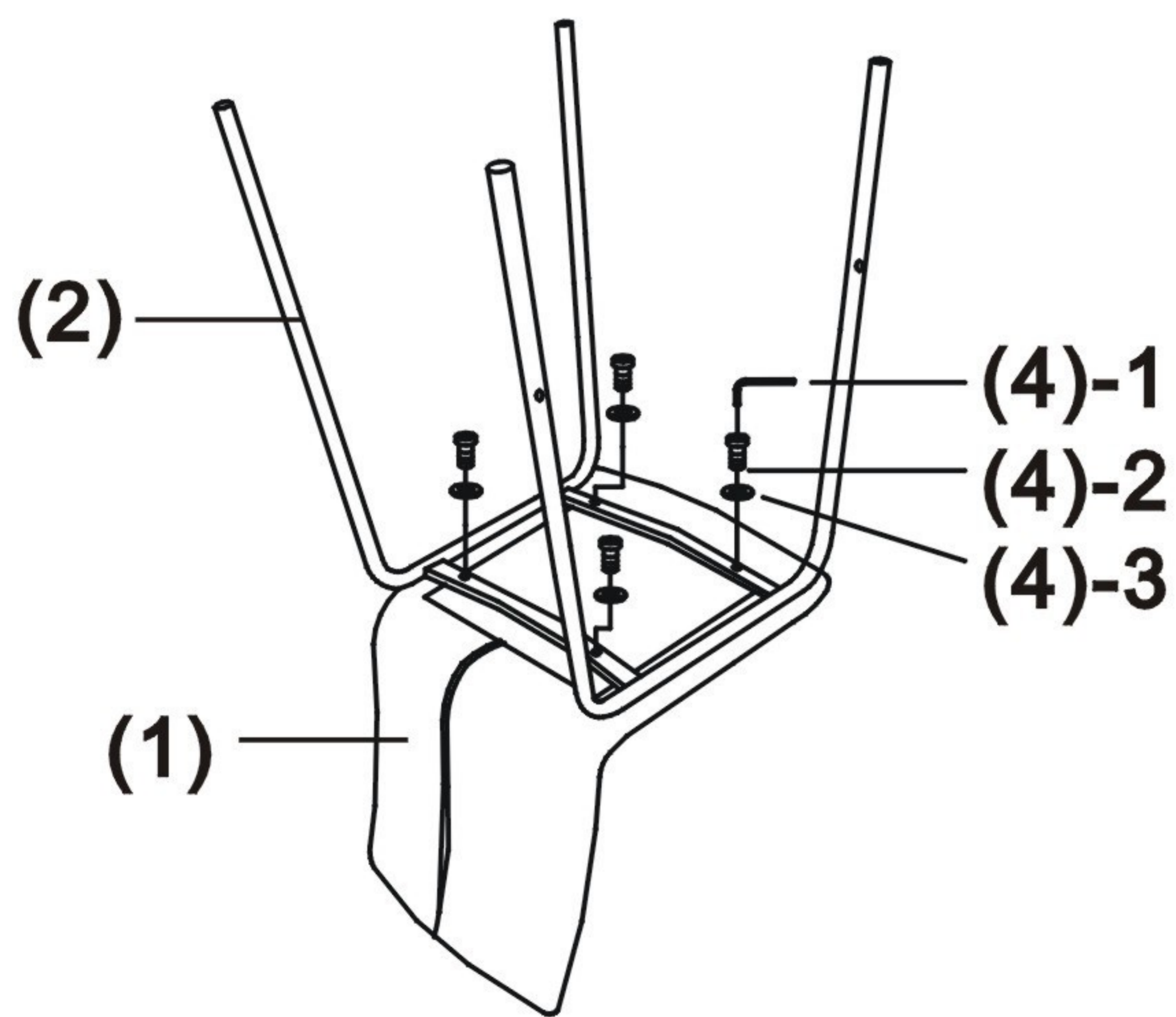
Enquiry:parts@zuomod.com

## PART LIST/Liste des pièces

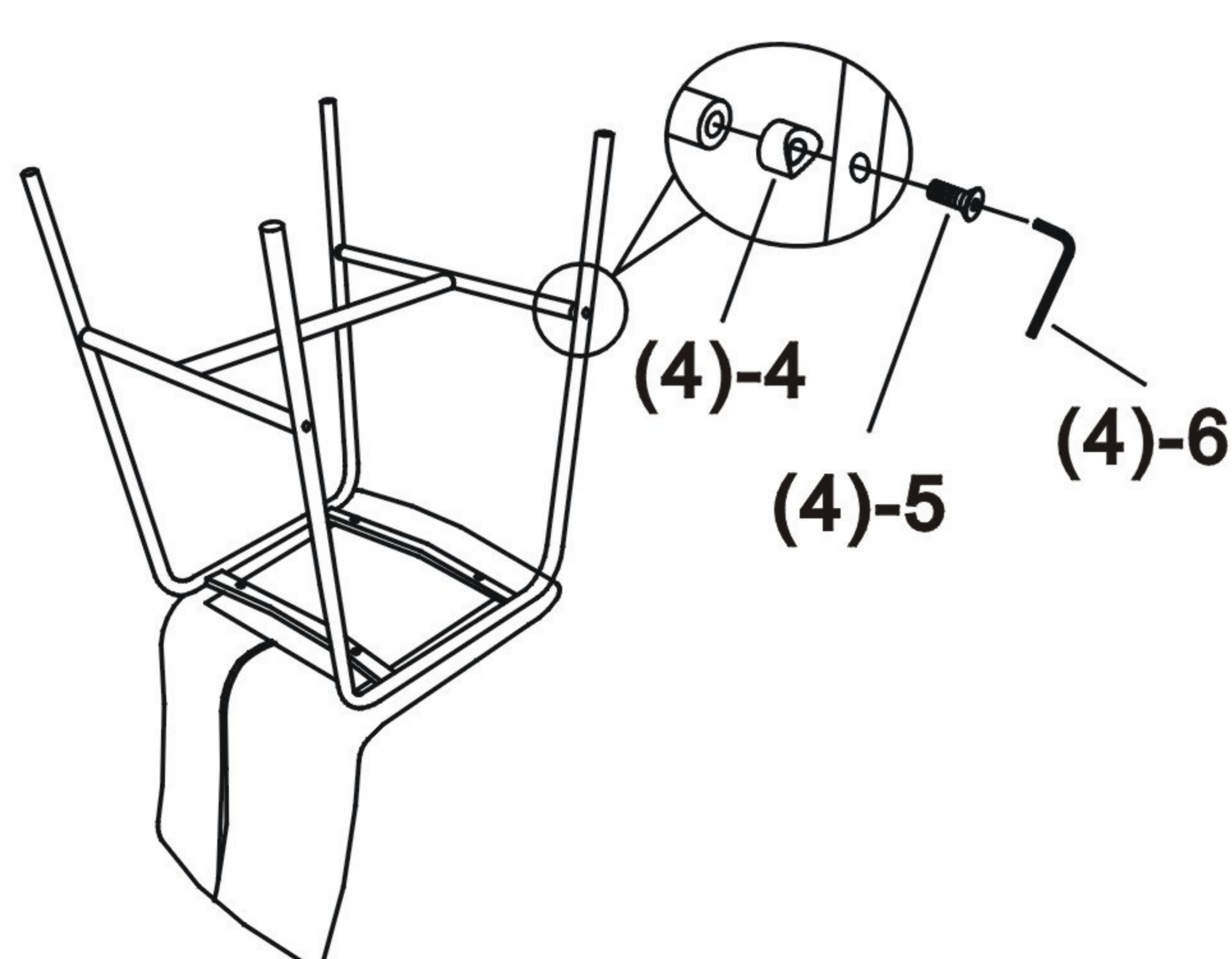
(1)	(2)	(3)	(4)
 X1	 X1	 X1	<ol style="list-style-type: none"><li>1.  X1 3mm</li><li>2.  X4 M6*30</li><li>3.  X4</li><li>4.  X4</li><li>5.  X4 M5*40</li><li>6.  X1 4mm</li></ol>

## INSTRUCTION

**A**



**B**



**C**

