

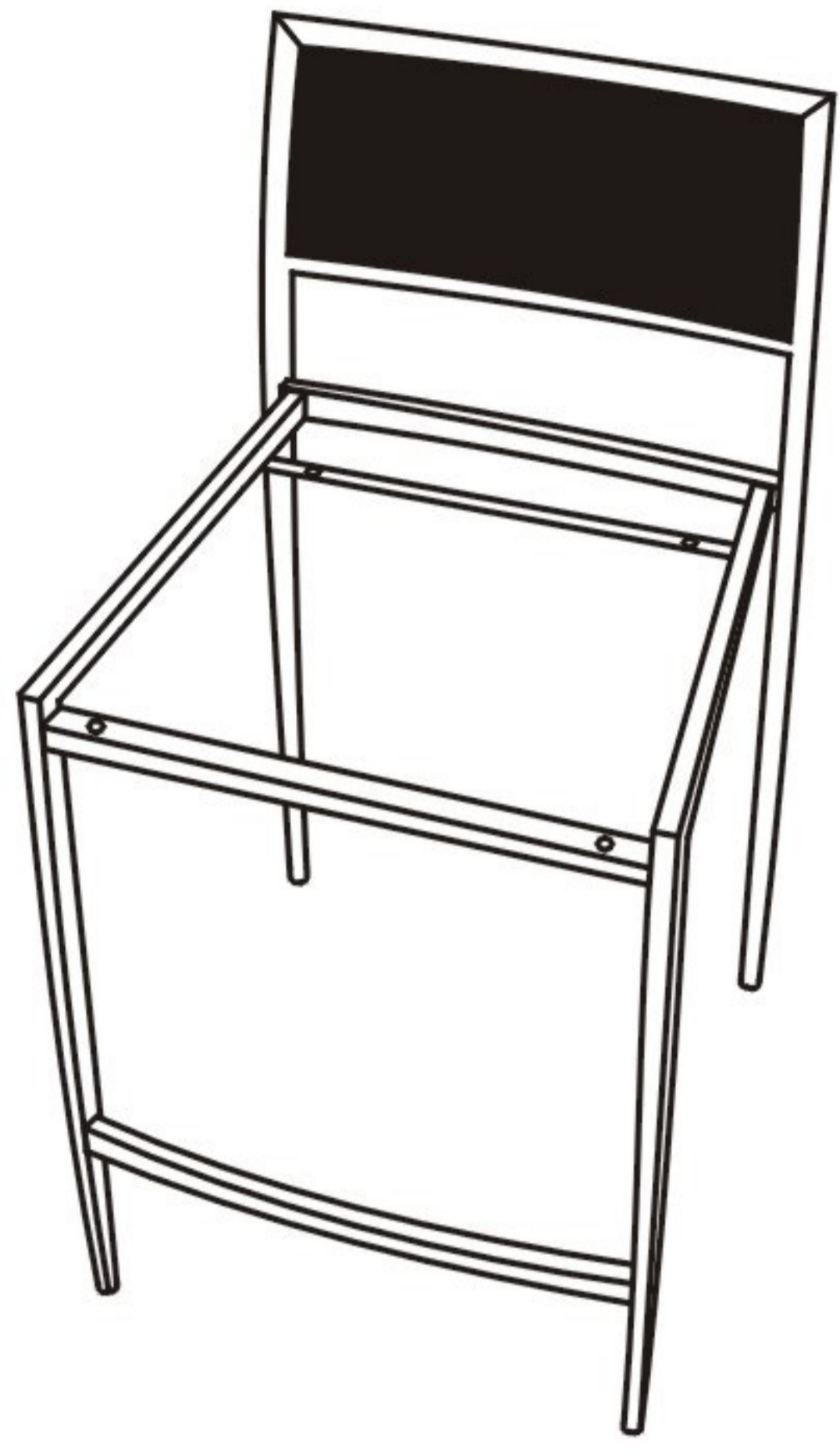




# ITEM NAME /NOM D' ITEM:DOLEMITE COUNTER CHAIR

ITEM # /NO. ITEM:300188 (BLACK/NOIR)

300189 (WHITE/BLANC)

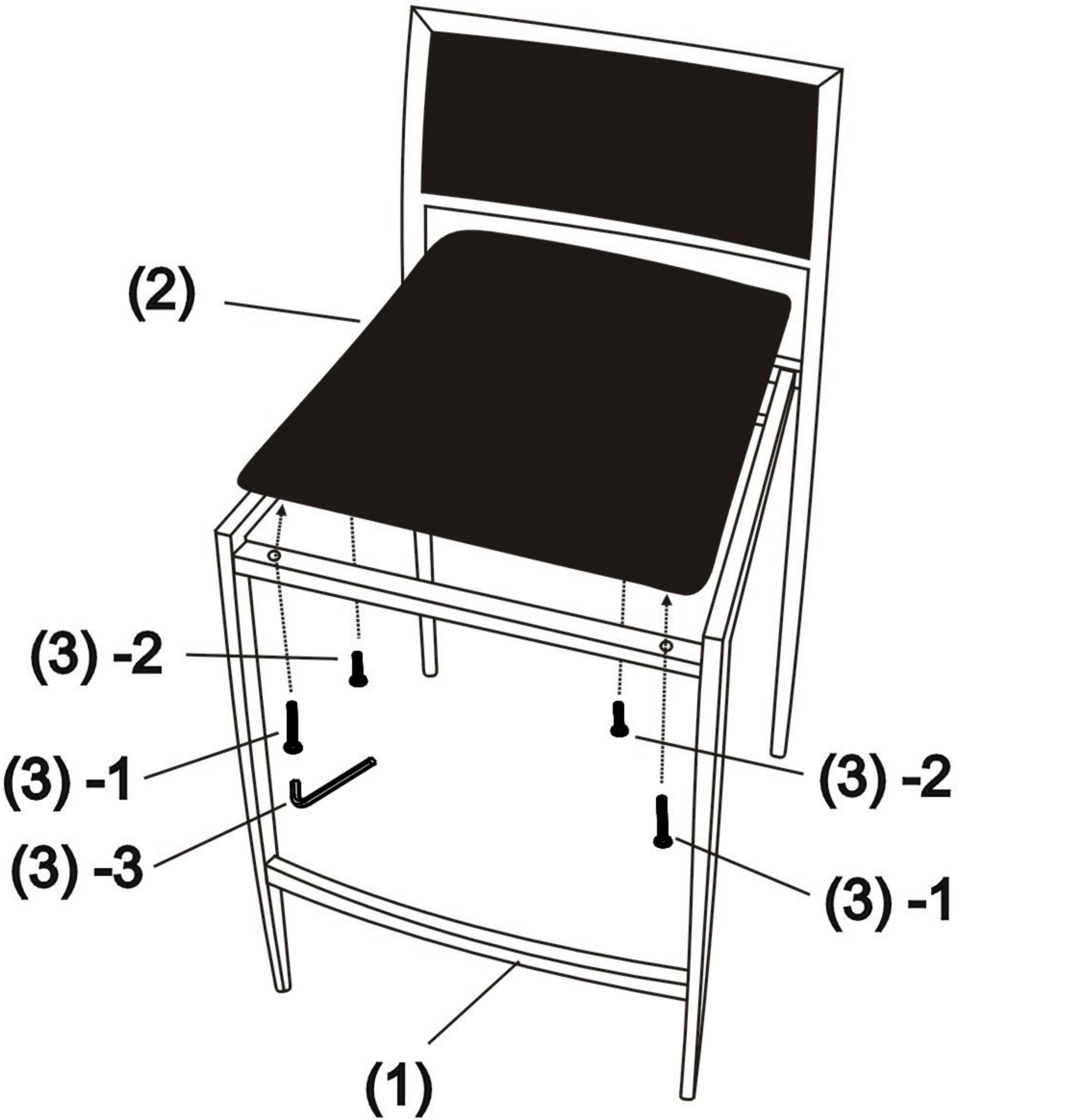
Enquiry:parts@zuomod.com

## PART LIST/Liste des pièces

(1)	(2)	(3)
 <p>X1</p>	 <p>X1</p>	<p>1.  X2 6*30mm</p> <p>2.  X2 6*20mm</p> <p>3.  X1</p>

## INSTRUCTION

### A



(2)

(3) -2

(3) -1

(3) -3

(1)

(3) -2

(3) -1

### B

