

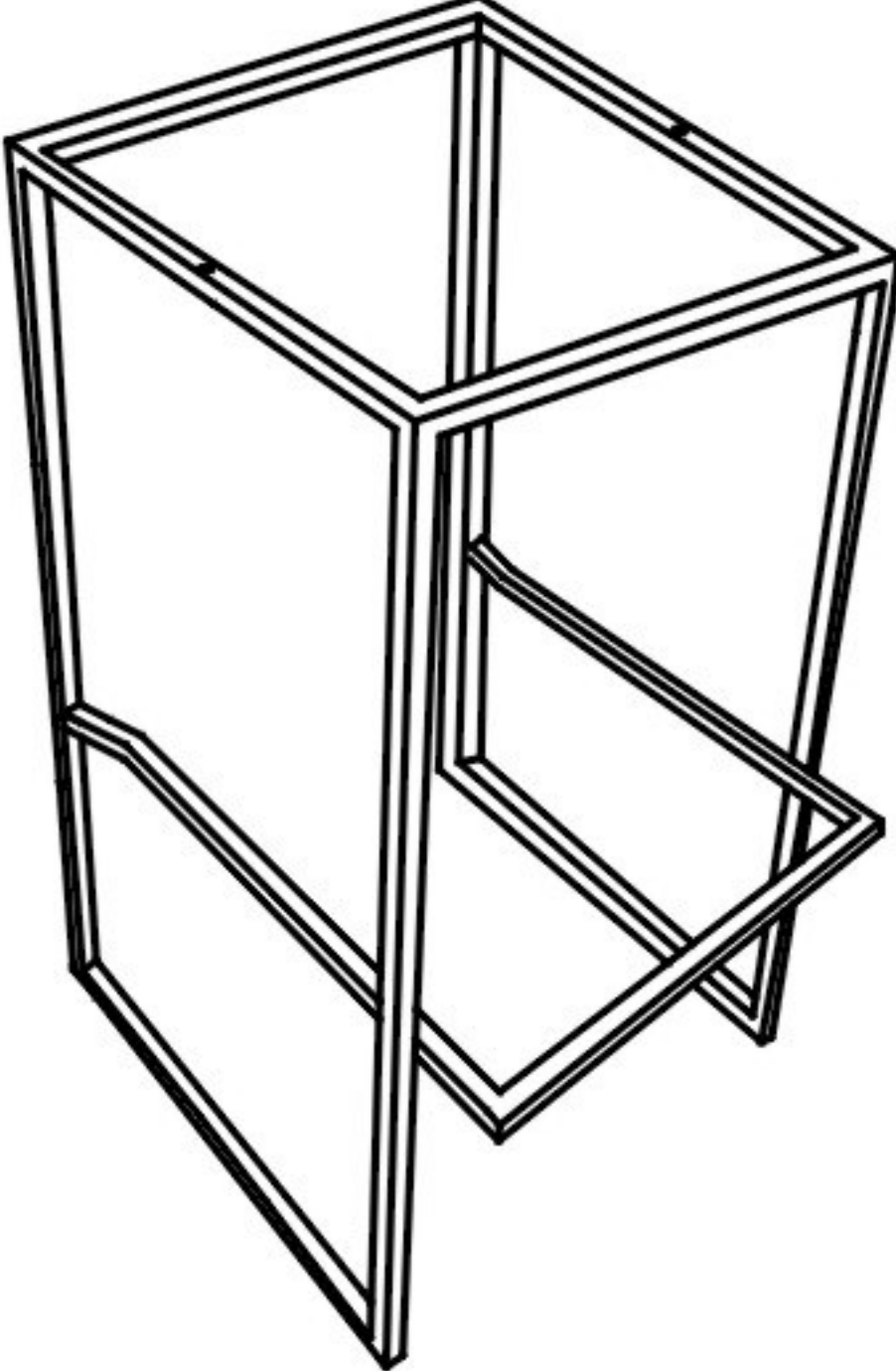
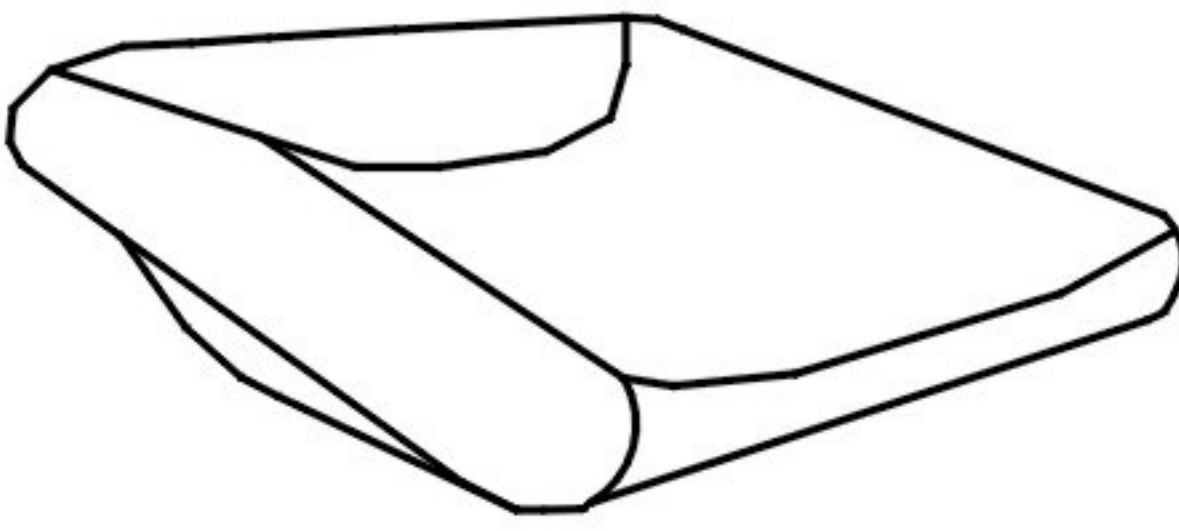

# ITEM NAME /NOM D' ITEM:LIDS COUNTER STOOL

ITEM # /NO. ITEM:300036 (GREEN/VERT)

300037 (DARK GRAY)

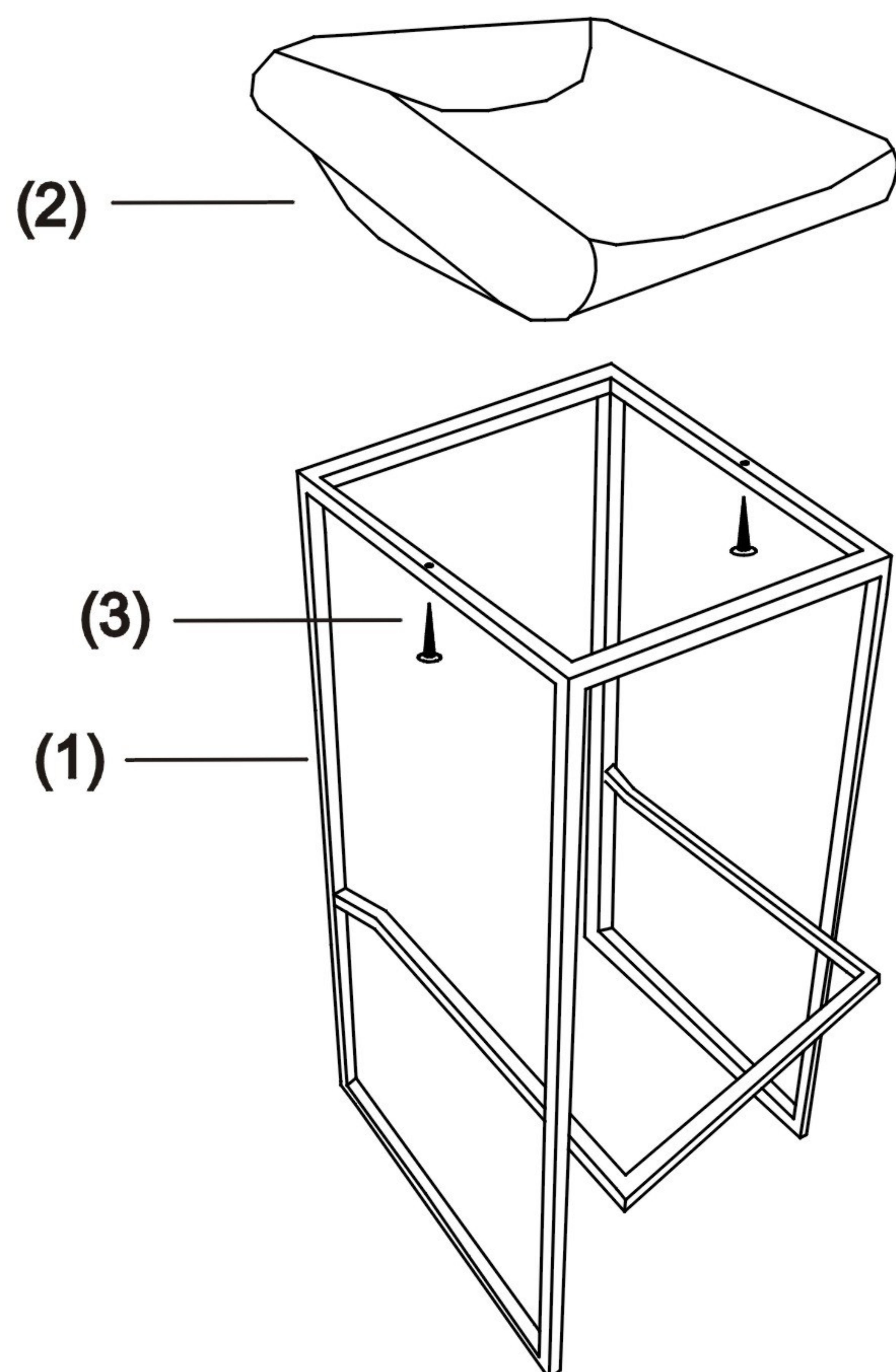
Enquiry:parts@zuomod.com

## PART LIST/Liste des pièces

(1)	(2)	(3)
 <p>X1</p>	 <p>X1</p>	 <p>X2</p>

## INSTRUCTION

**A**



**B**

