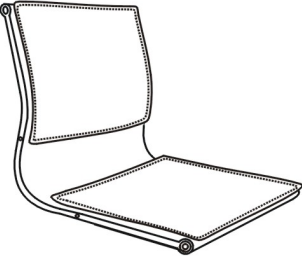
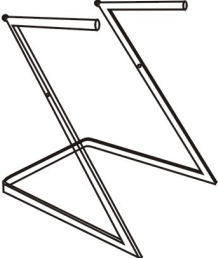





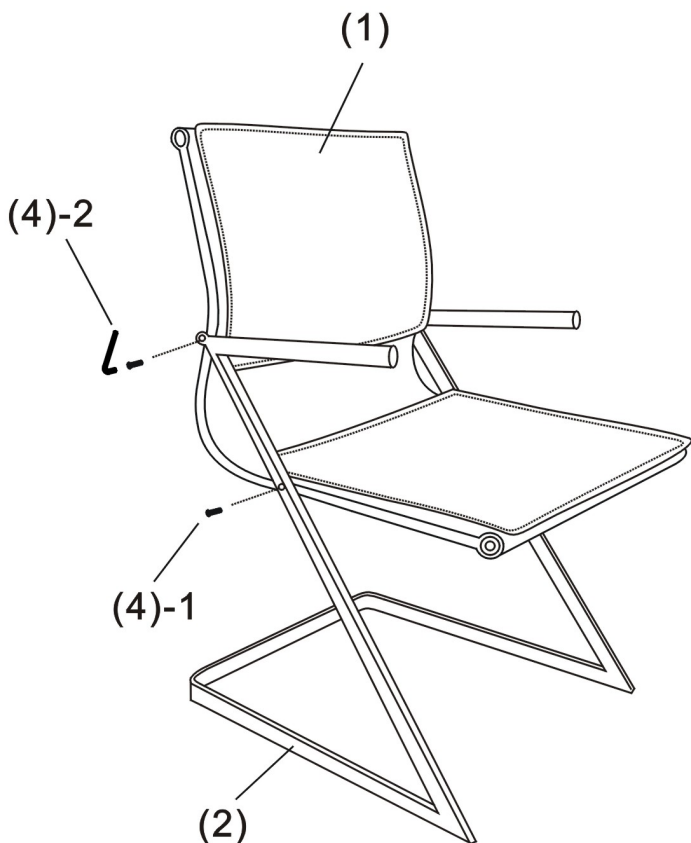
ITEM NAME /NOM D' ITEM:LIDER PLUS CONFERENCE CHAIR
ITEM # /NO. ITEM:215210(BLACK/NOIR) 215211(WHITE/BLANC)
Enquiry:parts@zuomod.com

PART LIST/Liste des pièces

(1)	(2)	(3)	(4)
 <p style="text-align: right;">X1</p>	 <p style="text-align: right;">X1</p>	 <p style="text-align: center;">Arm Cover</p> <p style="text-align: right;">X2</p>	<p>1.  X4</p> <p>2.  X1</p>

INSTRUCTION

A



B

