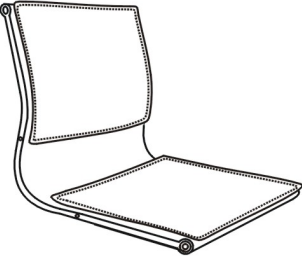
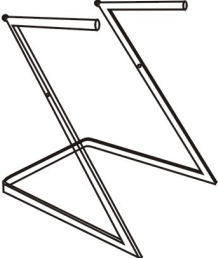





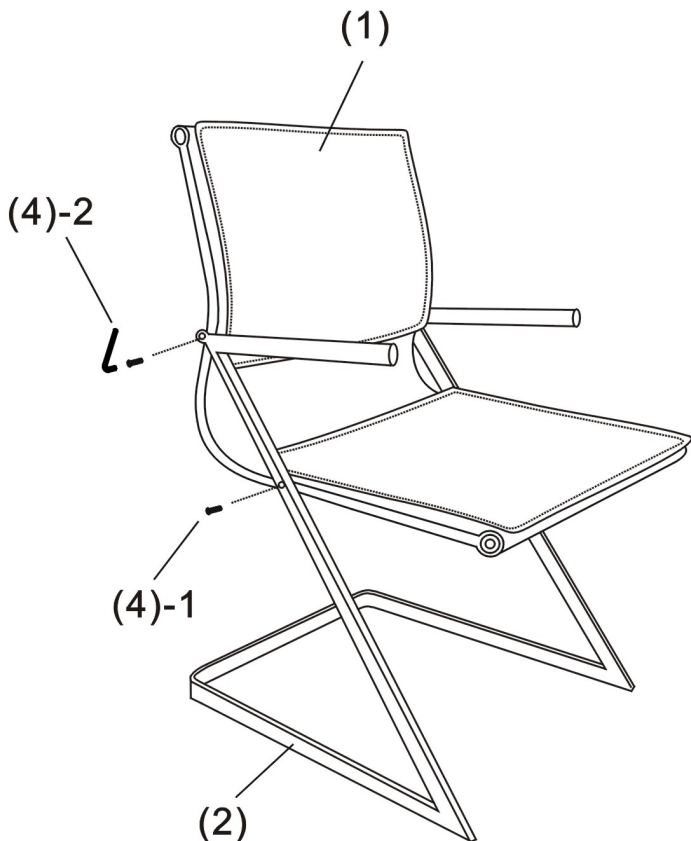
**ITEM NAME /NOM D' ITEM:LIDER PLUS CONFERENCE CHAIR**  
**ITEM # /NO. ITEM:215210(BLACK/NOIR) 215211(WHITE/BLANC)**  
**Enquiry:parts@zuomod.com**

**PART LIST/Liste des pièces**

(1)	(2)	(3)	(4)
 <p style="text-align: right;"><b>X1</b></p>	 <p style="text-align: right;"><b>X1</b></p>	 <p style="text-align: center;"><b>Arm Cover</b></p> <p style="text-align: right;"><b>X2</b></p>	<p><b>1.</b>  <b>X4</b></p> <p><b>2.</b>  <b>X1</b></p>

**INSTRUCTION**

**A**



**B**

