
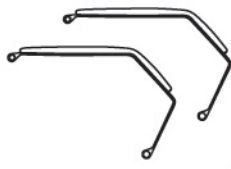
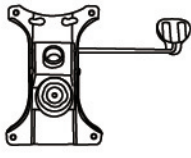

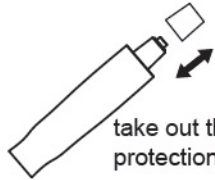




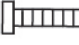



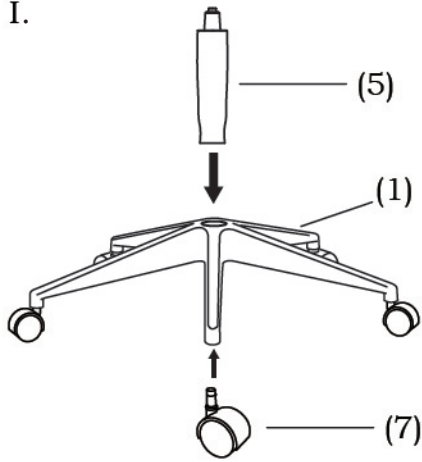


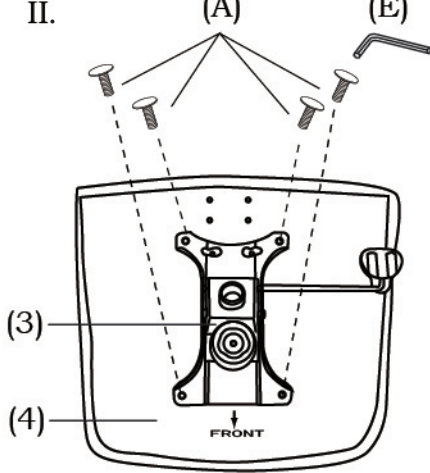
**ITEM NAME/NOM D'ITEM: DIRECTOR COMFORT OFFICE CHAIR**  
**ITEM # /NO.ITEM: 205326/205327**

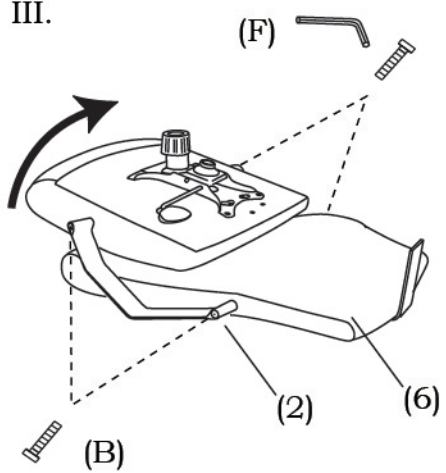
## PARTS LIST/LISTE DES PIÈCES

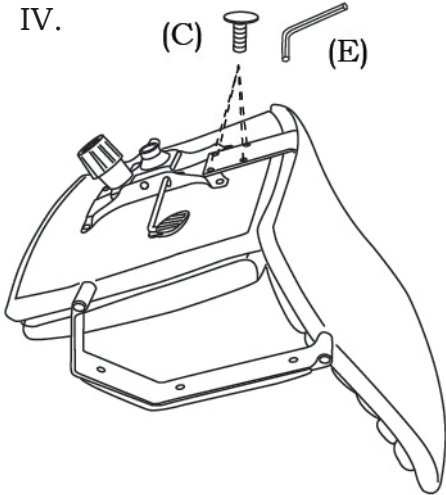
(1)  x1	(2)  x2	(3)  x1	(4)  x1	(5)  take out the protection cap x1
(6)  x1	(7)  x5	(8)		
		A  M8 x 22mm x4	D  Cap x4	
		B  M8 x 55mm x4	E  5mm x1	
		C  M6 x 25mm x4	F  6mm x1	

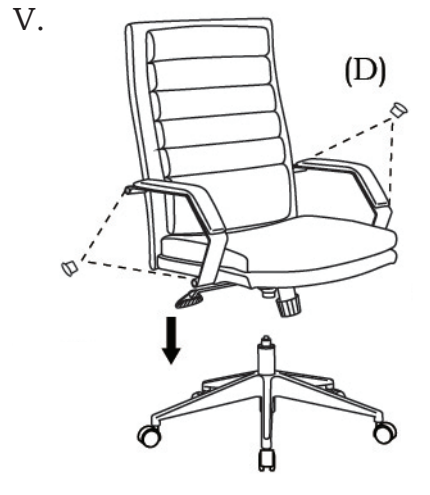
## ASSEMBLY INSTRUCTIONS/INSTRUCTIONS D'ASSEMBLAGE


**I.** 

**II.** 

**III.** 

**IV.** 

**V.** 

**VI.** 

For missing parts or damaged parts, please call

USA : 1-866-798-6663

Canada : 514-382-6661