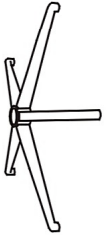
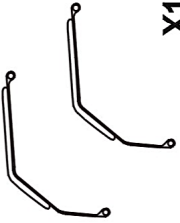
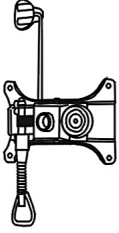

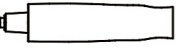
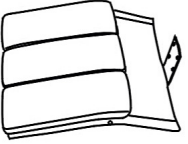








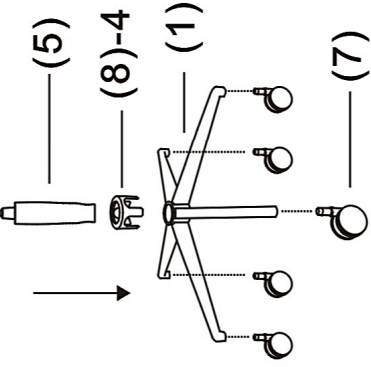
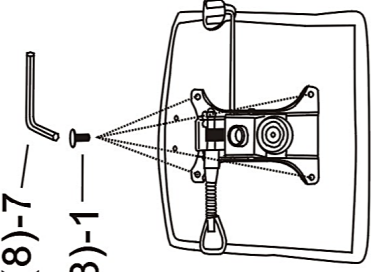
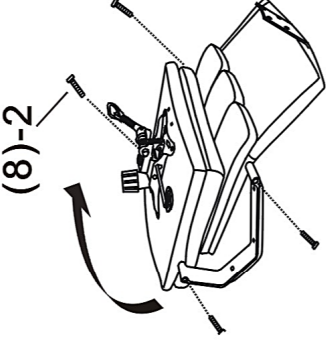
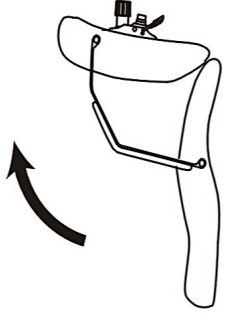
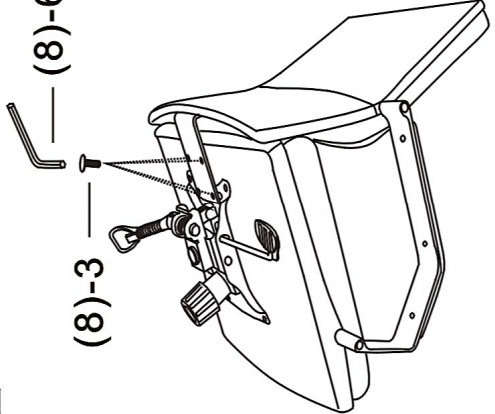
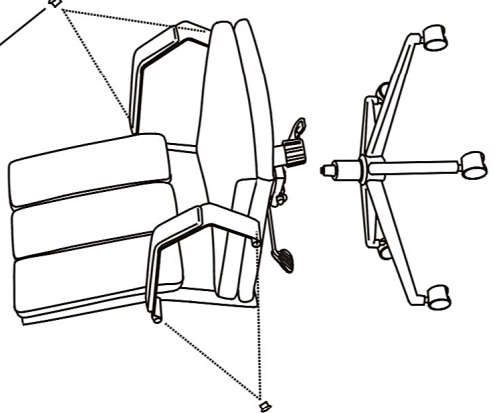


ITEM NAME/NOM D'ITEM:DIRECTOR PRO OFFICE CHAIR
ITEM #/NO. ITEM: 205324(BLACK/NOIR) 205325(WHITE/BLANC)

PART LIST/Liste des pièces

(1)	(2)	(3)	(4)	(5)
 X1	 X1	 X1	 X1	 X1
(6)	(7)	(8)		
 X1	 X5	1.  X4 m8*22 5.  X4 2.  X4 m8*55 6.  X1 m6 3.  X4 m6*30 7.  X1 m8 4.  X1		

INSTRUCTION

<p>A</p> 	<p>B</p> 	<p>C</p> 	<p>D</p> 
<p>E</p> 	<p>F</p> 	<p>G</p> 