

# ITEM NAME /NOM D' ITEM:ENTERPRISE OFFICE CHAIR

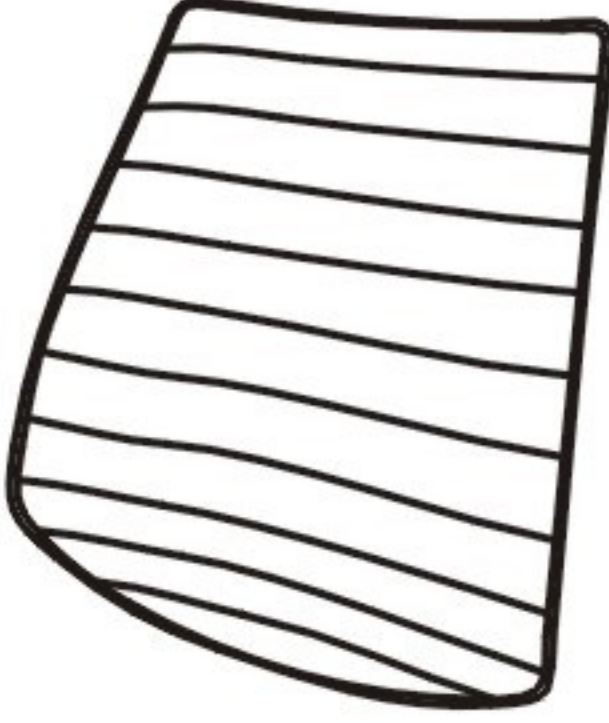



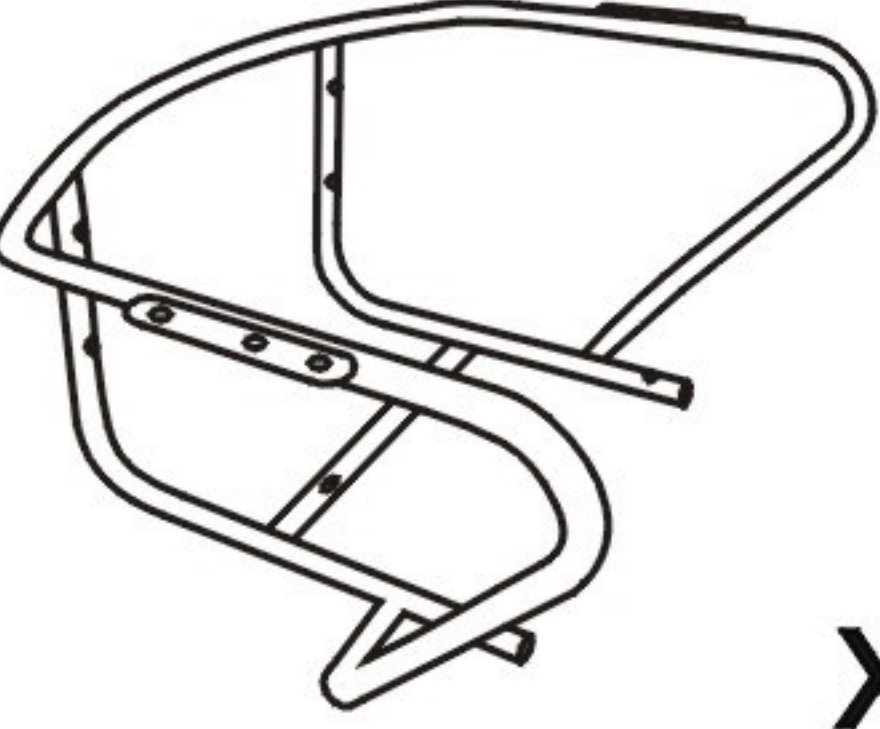


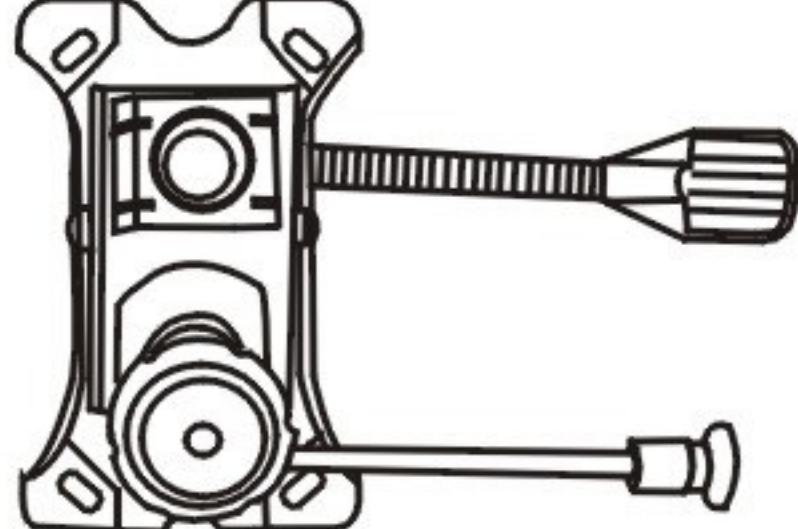








ITEM # /NO. ITEM:205164(BLACK/NOIR) 205165(WHITE/BLANC)

205166(ESPRESSO/ESPRESSO) 205167(TERRACOTTA)

205172(GRAY)

Enquiry:parts@zuomod.com

## PART LIST/Liste des pièces

(1)	(2)	(3)	(4)	(5)
 X1	 X1	 X1	 X1	 X1
(6)	(7)	(8)	(9)	
 X2	 X5	 X1	1.  X2 5*45mm    5.  X4 4*18mm 2.  X2 5*30mm    6.  X6 3.  X4 5*25mm    7.  X1 4*60mm 4.  X4 4*40mm    8.  X1 5*63mm	

## INSTRUCTION

