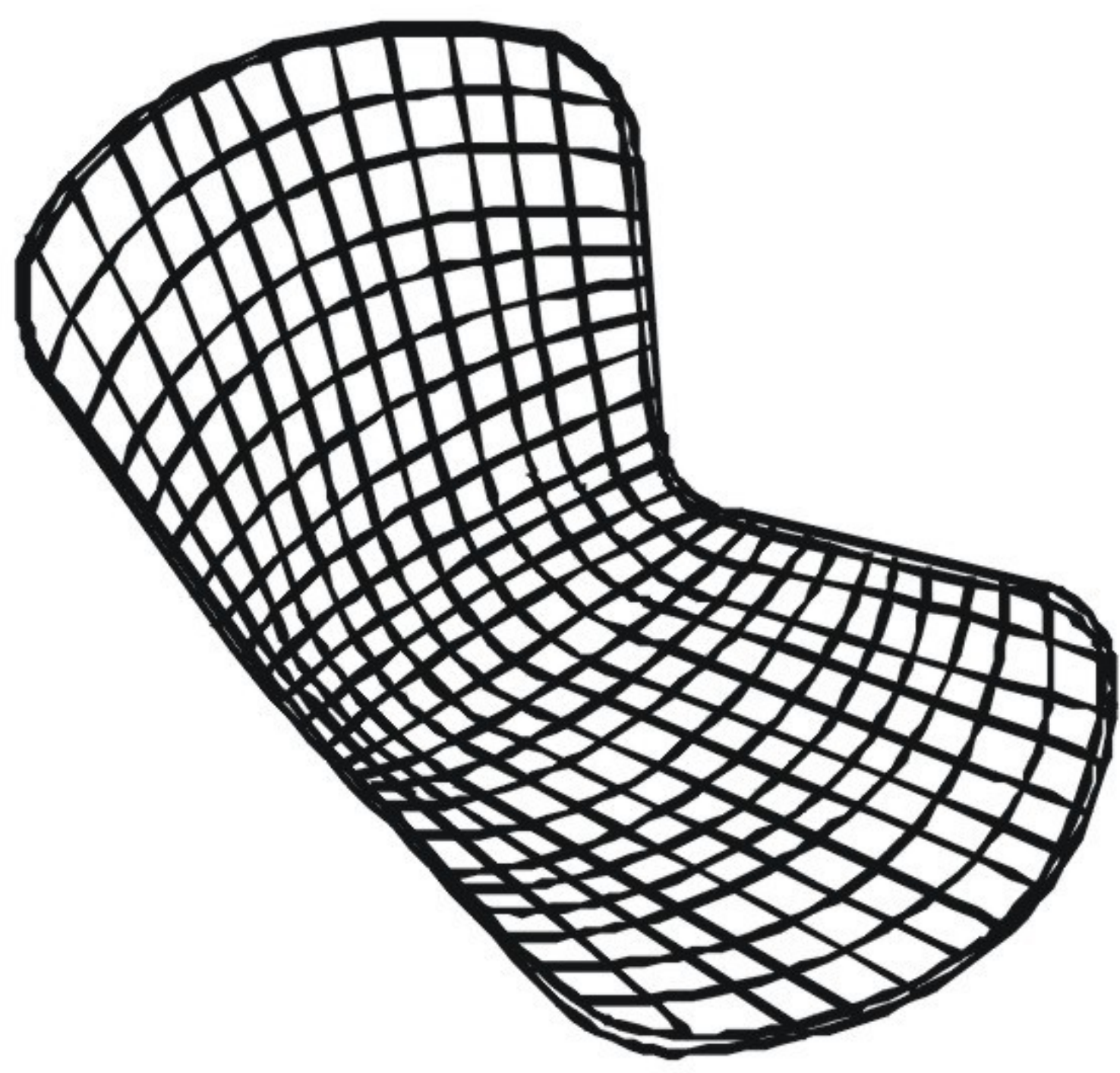
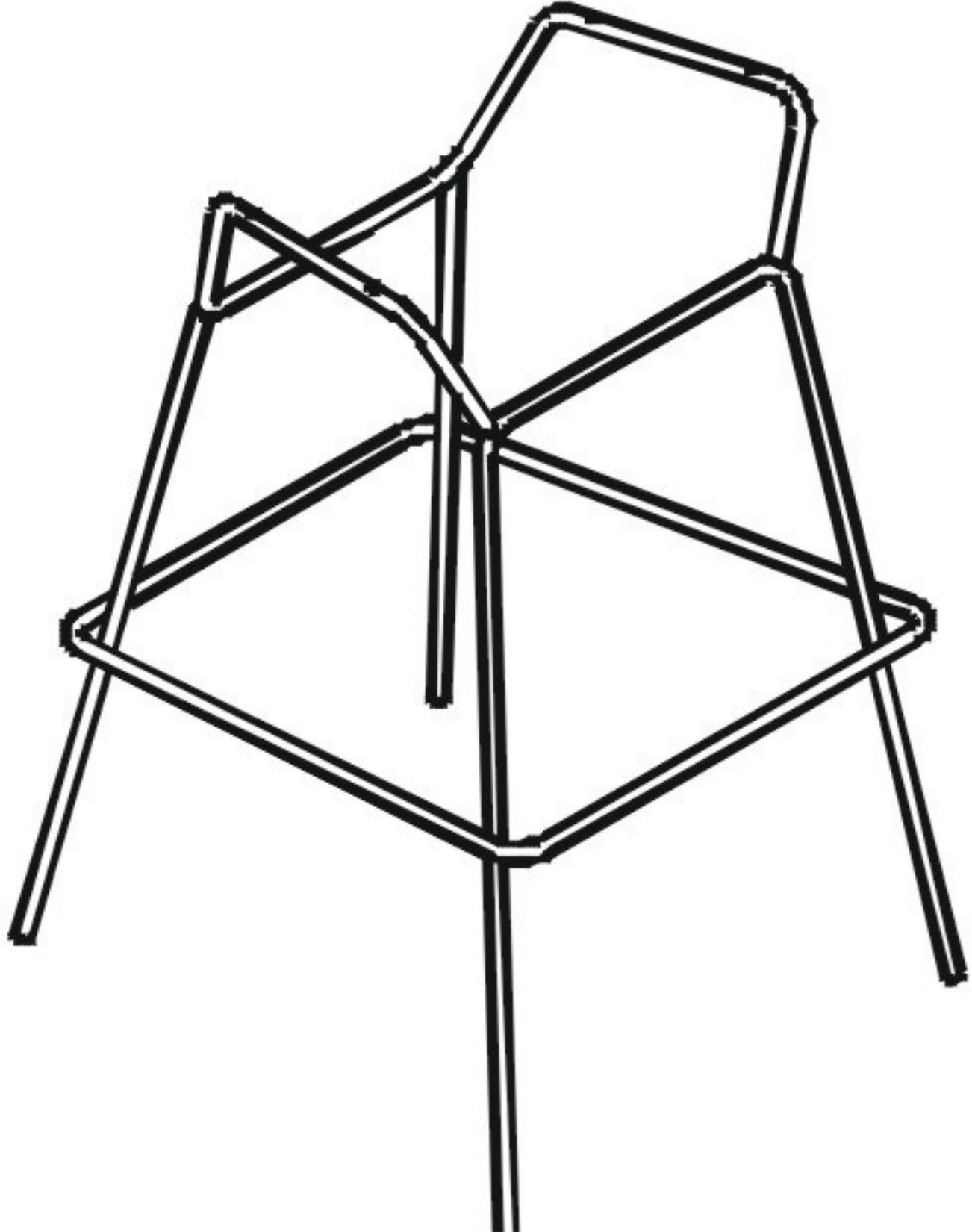

















ITEM NAME /NOM D' ITEM:WIRE BAR CHAIR
ITEM # /NO. ITEM:188015(CHROME)

Enquiry:parts@zuomod.com

PART LIST/Liste des pièces

(1)	(2)	(3)															
 <p>X1</p>	 <p>X1</p>	<table border="0"> <tr> <td>1.</td> <td></td> <td>X4</td> </tr> <tr> <td>2.</td> <td></td> <td>X4</td> </tr> <tr> <td>3.</td> <td></td> <td>X4</td> </tr> <tr> <td>4.</td> <td></td> <td>X4</td> </tr> <tr> <td>5.</td> <td></td> <td>X1</td> </tr> </table>	1.		X4	2.		X4	3.		X4	4.		X4	5.		X1
1.		X4															
2.		X4															
3.		X4															
4.		X4															
5.		X1															

INSTRUCTION

