
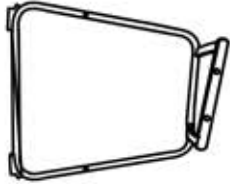
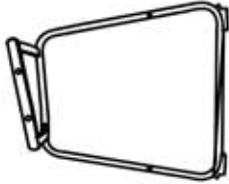







**ITEM NAME/ NOM D' ITEM: SMART COUNTER CHAIR**

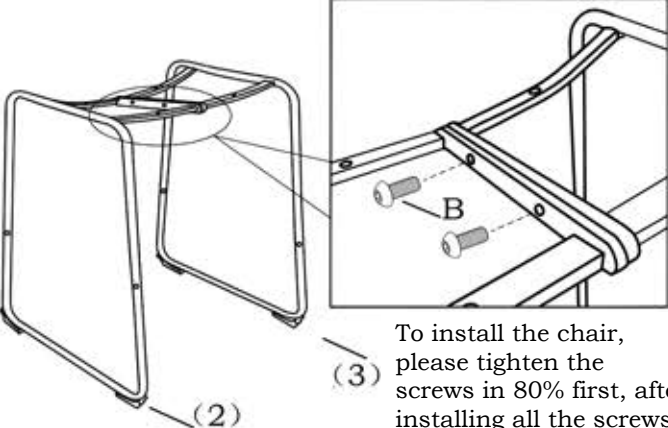
**ITEM #/NO.ITEM: 100506 / 100843 / 101994**

**PARTS LIST/LISTE DES PIÈCES**

| (1)  | (2)   | (3)   | (4)  | (5)  |
|--|---|---|--|--|
|  |  |  |  | A.  x4<br>M6 x 30mm<br>B.  x2<br>M8 x 14mm<br>C.  x4<br>M6 x 22mm<br>D.  x1<br>6mm |
| x1   | x1  | x1  | x2   |  |

**ASSEMBLY INSTRUCTIONS/INSTRUCTIONS D'ASSEMBLAGE**

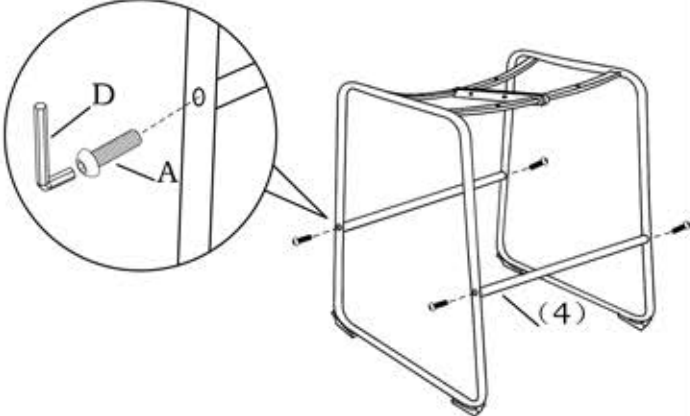
**I**



(2) (3)

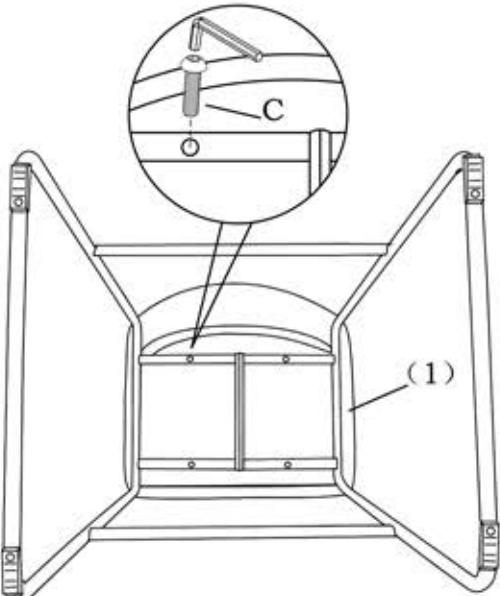
To install the chair, please tighten the screws in 80% first, after installing all the screws, make sure the chair is balanced, re-tighten the screws completely.

**II**




(4)

**III**



(1)

**IV**



For missing parts or damaged parts, please call

USA : 1-866-798-6663

Canada : 514-382-6661