

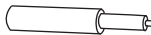
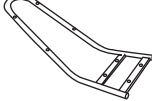



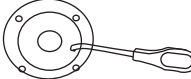



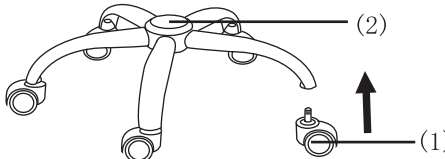
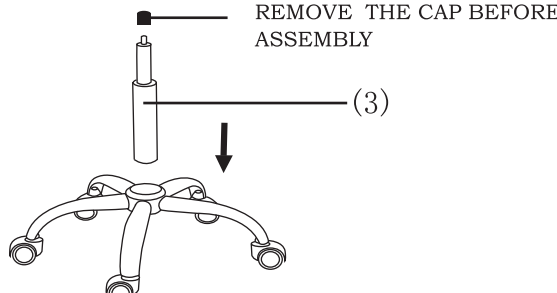
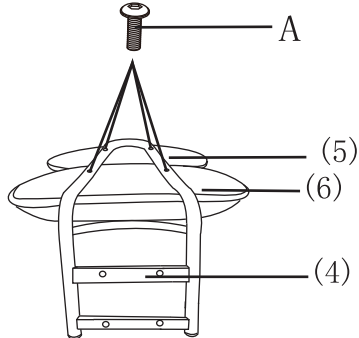
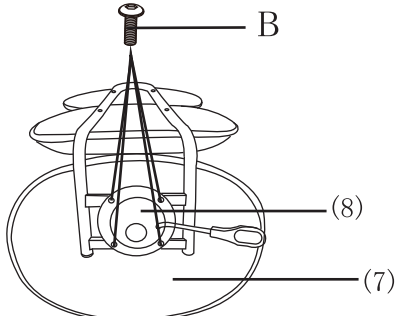
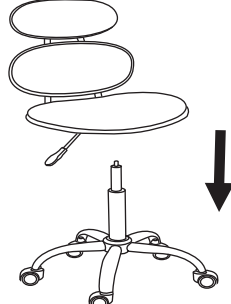
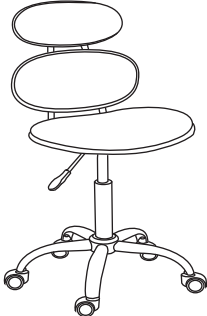


**ITEM NAME/NOM D'ITEM: IRIS OFFICE CHAIR**  
**ITEM #/NO. ITEM: 101940/101941/101942**

## PARTS LIST/LISTE DES PIÈCES

| (1)  | (2)  | (3)  | (4)   | (5)  |
|--|--|--|---|--|
|  X5 |  X1 |  X1 |  X1   |  X1 |
| (6)  | (7)  | (8)  | (9)   |  |
|  X1 |  X1 |  X1 | A.  M6x30mm (White) x4<br>B.  M6x30mm (Black) x4<br>C.  5mm x1 |  |

## ASSEMBLY INSTRUCTIONS/INSTRUCTIONS D'ASSEMBLAGE

|  |   |
|--|---|
| <p>I</p>     | <p>II</p>    |
| <p>III</p>  | <p>IV</p>   |
| <p>V</p>    | <p>VI</p>  |

For missing parts or damaged parts, please call

USA : 1-866-798-6663  
 Canada : 514-382-6661