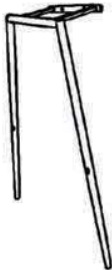


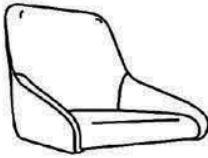


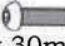

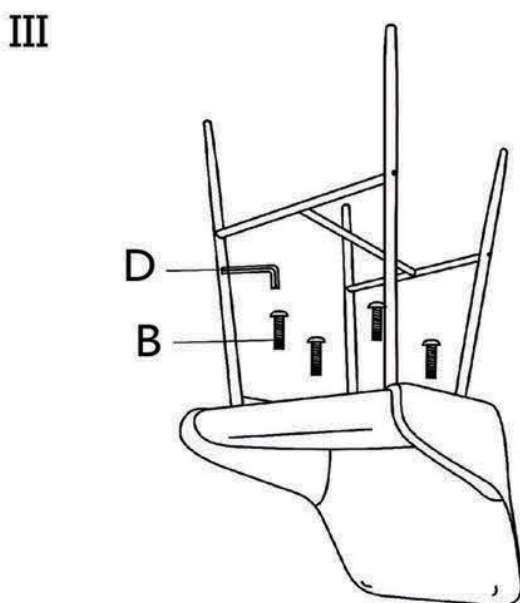
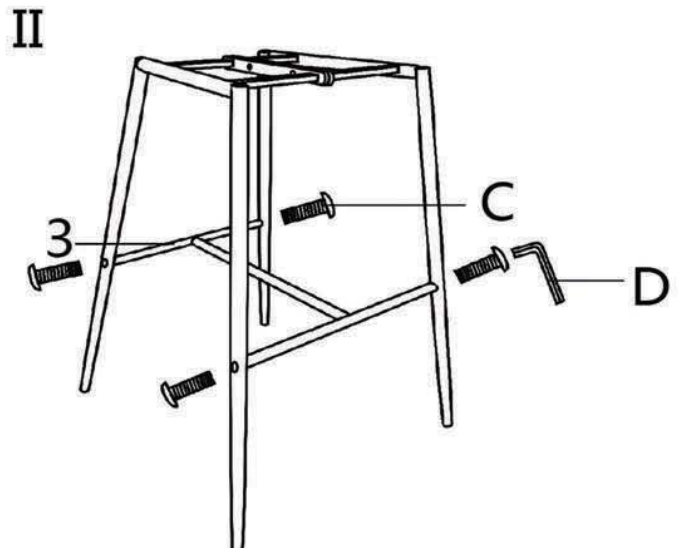
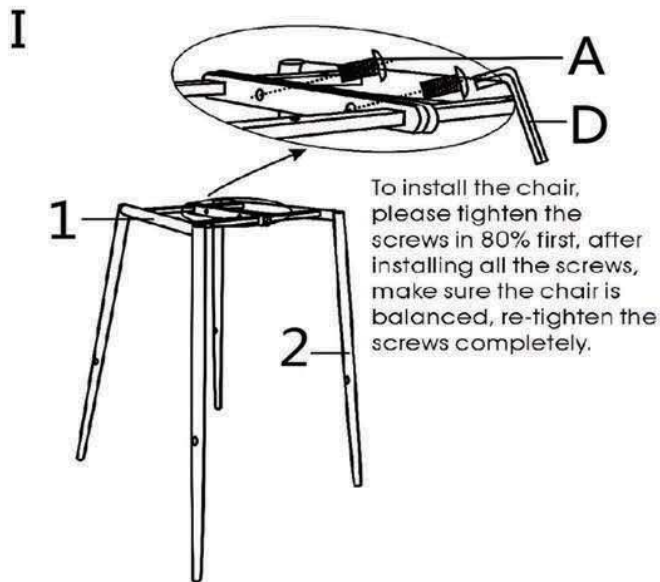


ITEM NAME/ NOM D' ITEM: MIRA COUNTER CHAIR
ITEM #/NO.ITEM: 101906/101907/101908/101909/101910

PARTS LIST/LISTE DES PIÈCES

(1)	(2)	(3)	(4)	(5)
				A.  M8 x 14mm x2 B.  M6 x 25mm x4 C.  M8 x 30mm x4 D.  6mm x1
x1	x1	x1	x2	

ASSEMBLY INSTRUCTIONS/INSTRUCTIONS D'ASSEMBLAGE



For missing parts or damaged parts, please call

USA : 1-866-798-6663
 Canada : 514-382-6661

AI-1-200526