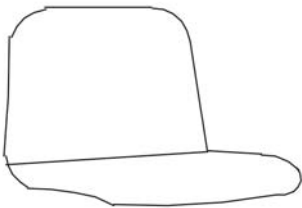




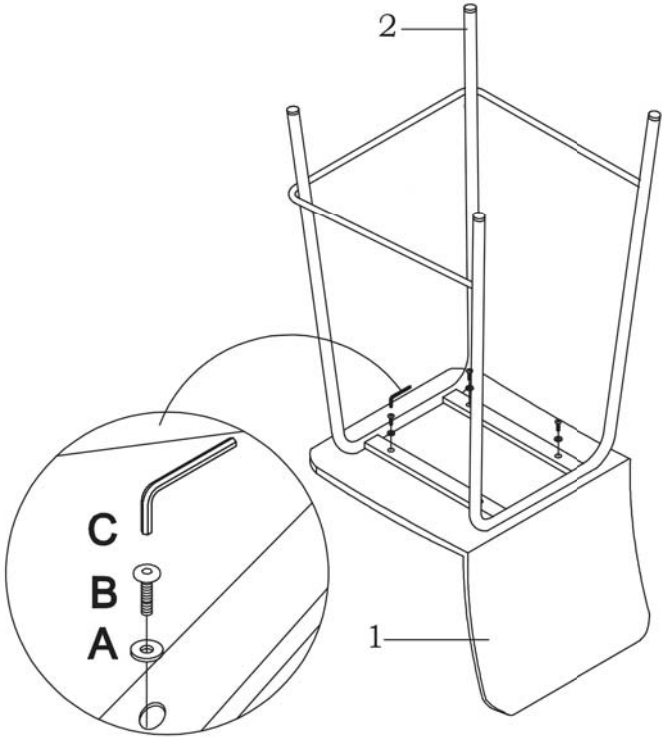
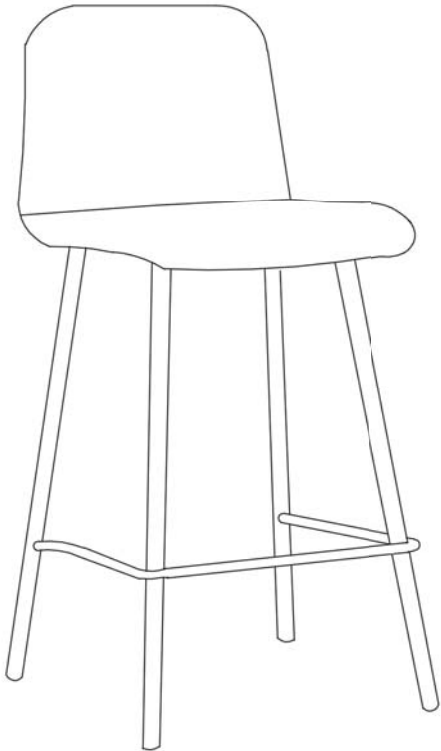


ITEM NAME/NOM D'ITEM: VAR COUNTER CHAIR
 ITEM #/NO. ITEM: 101894/101895/101896

PART LIST/LISTE DES PIÈCES

(1)	(2)	(3)
 <p style="text-align: right;">x1</p>	 <p style="text-align: right;">x1</p>	<p>A.  Ø 6 x 4</p> <p>B.  M6x30mm x 4</p> <p>C.  5mm x 1</p>

ASSEMBLY INSTRUCTIONS/INSTRUCTIONS D'ASSEMBLAGE

<p>I</p> 	<p>II</p> 
---	--

For missing parts or damaged parts, please call

USA : 1-866-798-6663

Canada : 514-382-6661