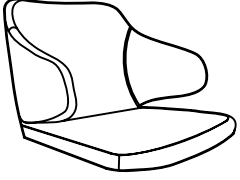
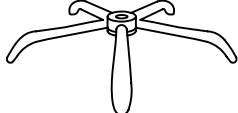
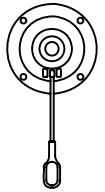






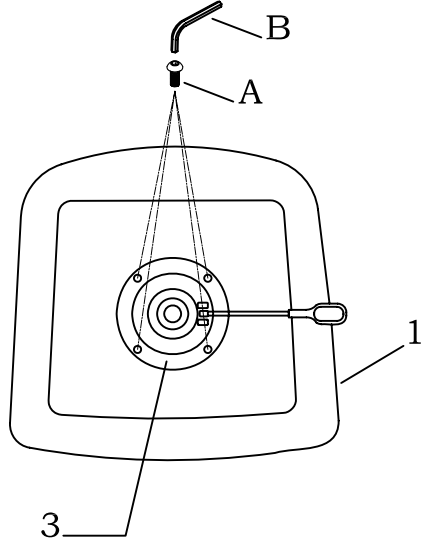
ITEM NAME/NOM D'ITEM: DESIGNER OFFICE CHAIR
 ITEM #/NO.ITEM: 101838 / 101839

PARTS LIST/LISTE DES PIÈCES

| (1) | (2) | (3) | (4) | (5) | (6) |
|---|---|---|---|---|--|
|  x1 |  x1 |  x1 |  x1 |  x5 | A.  M6×20mm x4 B.  4mm x1 |

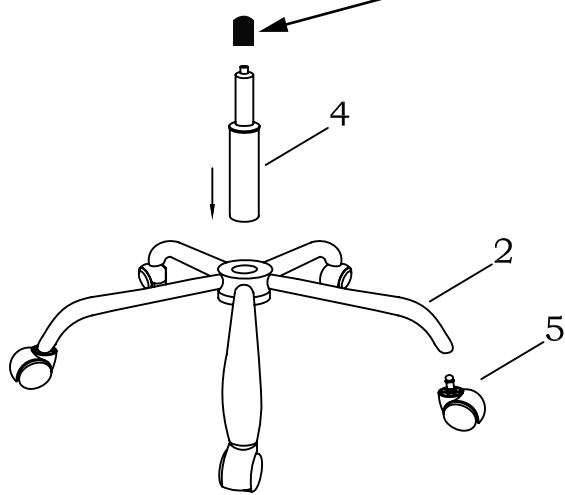
ASSEMBLY INSTRUCTIONS/INSTRUCTIONS D'ASSEMBLAGE

I

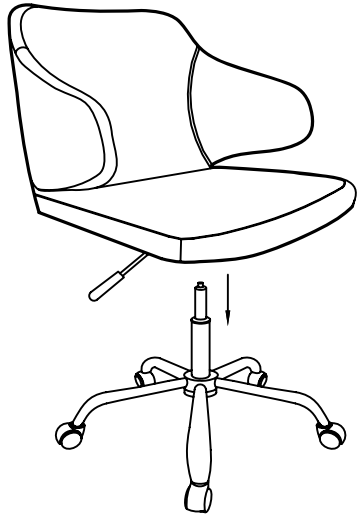


II

REMOVE THE CAP BEFORE ASSEMBLY



III



IV

