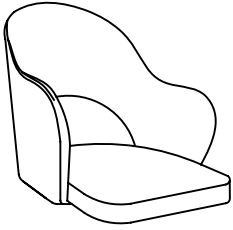
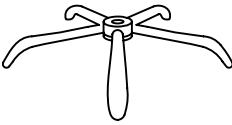
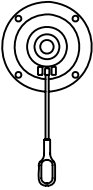






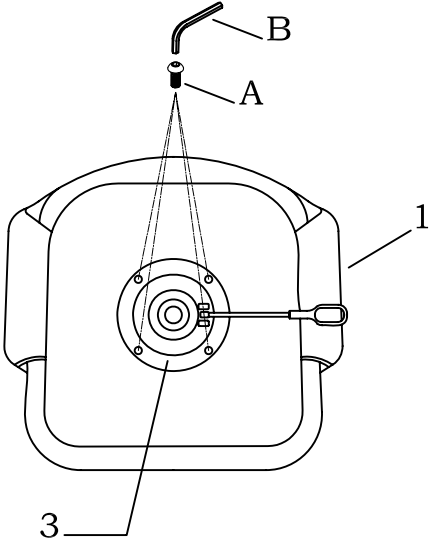
ITEM NAME/NOM D'ITEM: PLANNER OFFICE CHAIR
 ITEM #/NO.ITEM: 101833 / 101834 / 101835

PARTS LIST/LISTE DES PIÈCES

(1)	(2)	(3)	(4)	(5)	(6)
 x1	 x1	 x1	 x1	 x5	A.  M6×20mm x4 B.  4mm x1

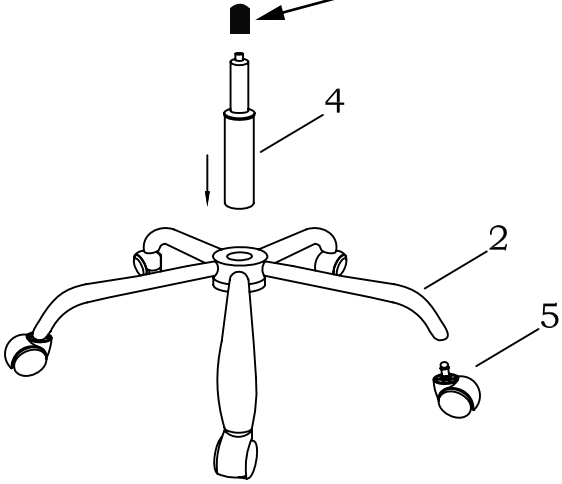
ASSEMBLY INSTRUCTIONS/INSTRUCTIONS D'ASSEMBLAGE

I

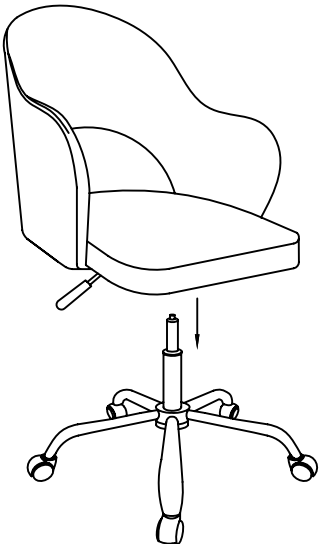


II

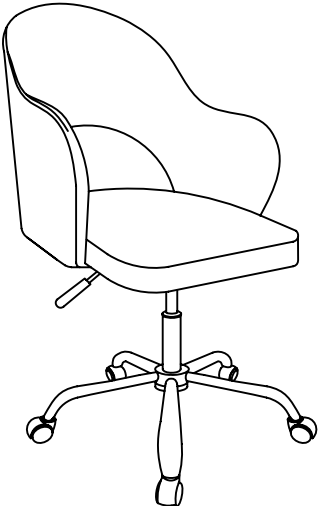
REMOVE THE CAP BEFORE ASSEMBLY



III



IV



For missing parts or damaged parts, please call

USA : 1-866-798-6663

Canada : 514-382-6661

AI-1-200314