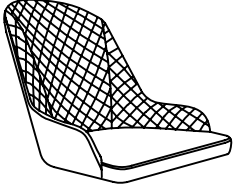
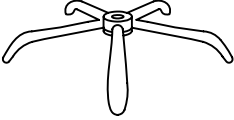
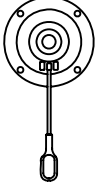






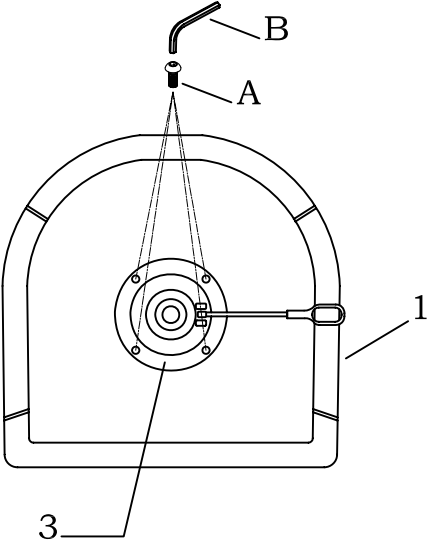
ITEM NAME/NOM D'ITEM: SPACE OFFICE CHAIR
 ITEM #/NO.ITEM: 101830 / 101831 / 101832

PARTS LIST/LISTE DES PIÈCES

(1)	(2)	(3)	(4)	(5)	(6)
 x1	 x1	 x1	 x1	 x5	A.  M6×20mm x4 B.  4mm x1

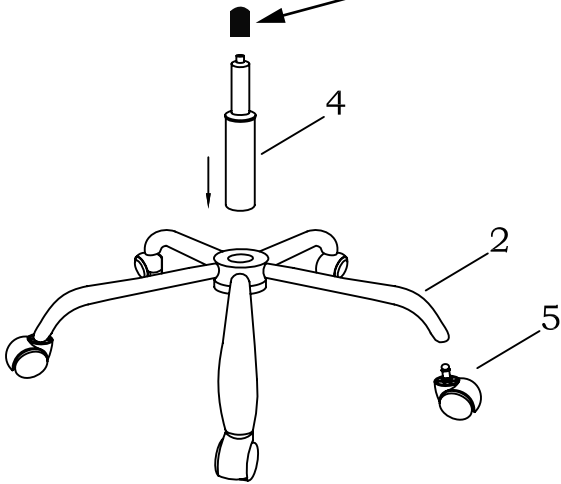
ASSEMBLY INSTRUCTIONS/INSTRUCTIONS D'ASSEMBLAGE

I

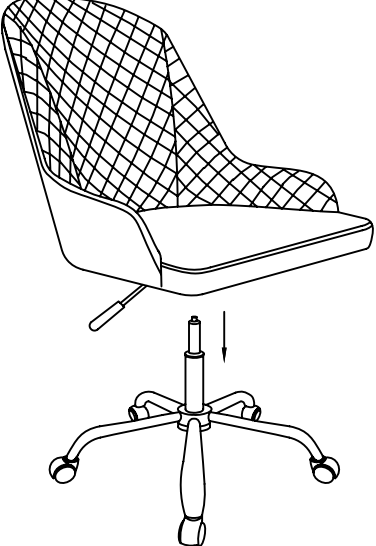


II

REMOVE THE CAP BEFORE ASSEMBLY



III



IV

