



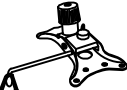
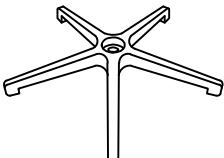




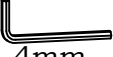


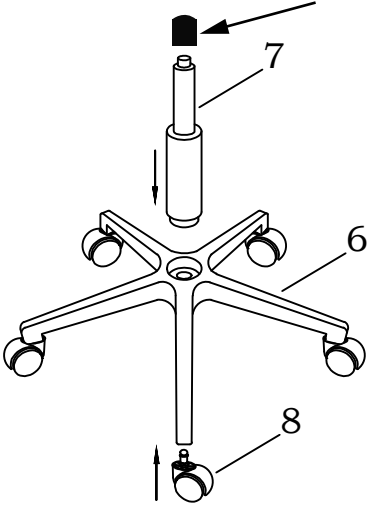
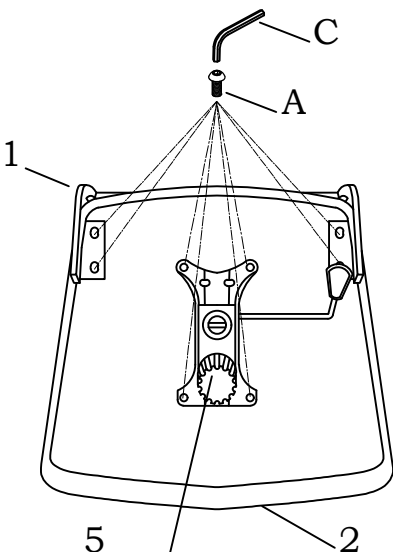
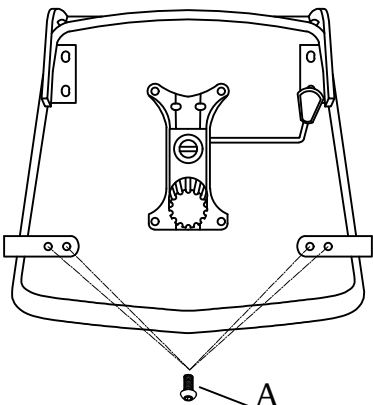
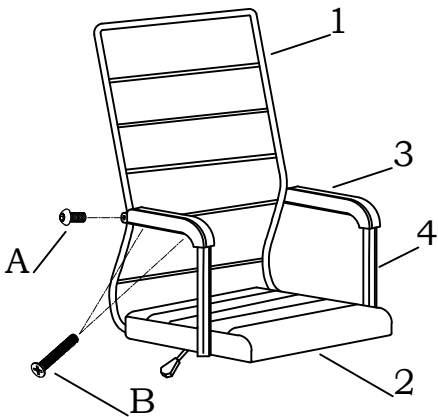
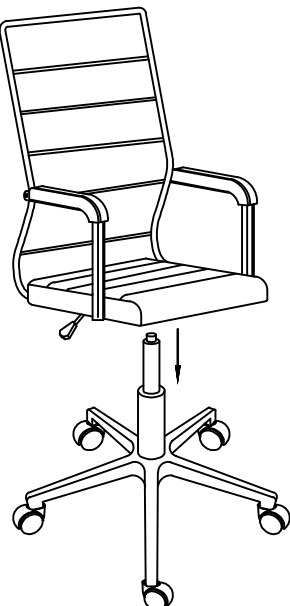
ITEM NAME/NOM D'ITEM: LIDERATO OFFICE CHAIR

ITEM #/NO.ITEM: 101823 / 101824 / 101825

## PARTS LIST/LISTE DES PIÈCES

(1)	(2)	(3)	(4)	(5)	(6)	(7)	(8)	(9)
								A.  M6×18mm x14 B.  M6×40mm x4 C.  4mm x1
x1	x1	x2	x2	x1	x1	x1	x5	

## ASSEMBLY INSTRUCTIONS/INSTRUCTIONS D'ASSEMBLAGE

<p>I REMOVE THE CAP BEFORE ASSEMBLY</p> 	<p>II</p> 	<p>III</p> 
<p>IV</p> 	<p>V</p> 	<p>VI</p> 