






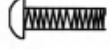



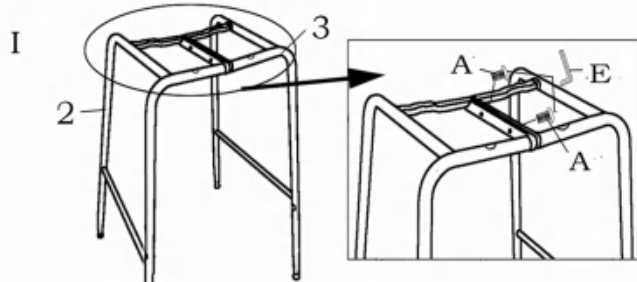
**ITEM NAME/ NOM D'ITEM: BYRON BAR CHAIR**

**ITEM#/NO. ITEM: 101771/ 101772 / 101773**

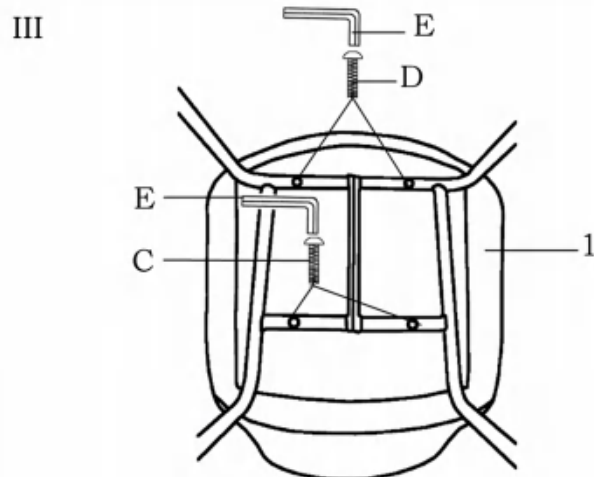
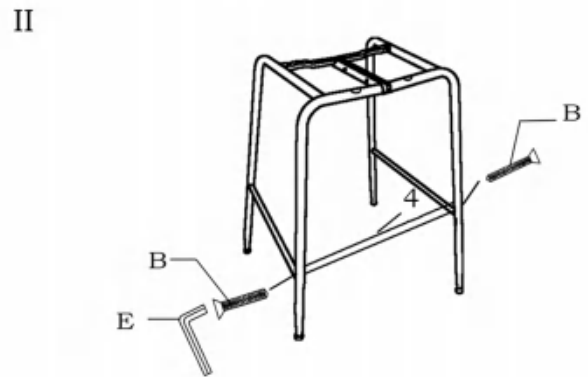
**PART LIST / LISTE DES PIÈCES**

(1)	(2)	(3)	(4)	(5)
				A.  M8x14mm x2 B.  M6x30mm x2 C.  M6x22mm x2 D.  M6x30mm x2 E.  5mm x1
x1	x1	x1	x1	

**ASSEMBLY INSTRUCTIONS / INSTRUCTIONS D'ASSEMBLAGE**



To install the chair, please tighten the screws in 80% first, after installing all the screws, make sure the chair is balanced and re-tighten the screws in 100%.



For missing parts or damaged parts, please call

USA : 1-866-798-6663

Canada : 514-382-6661