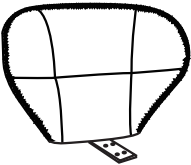
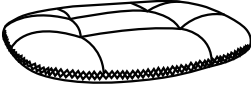
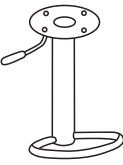


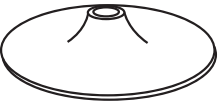






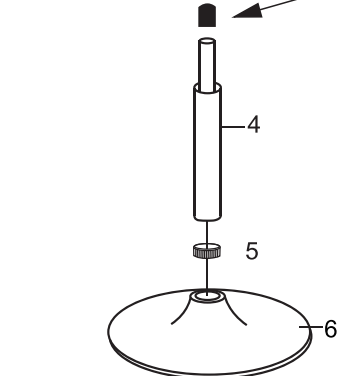
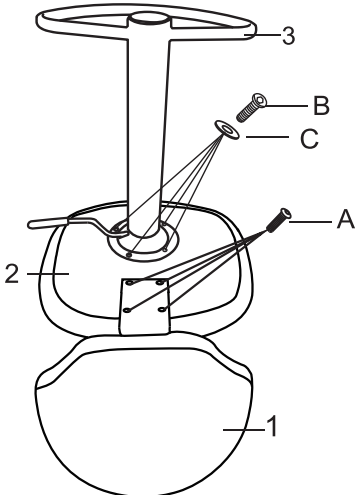
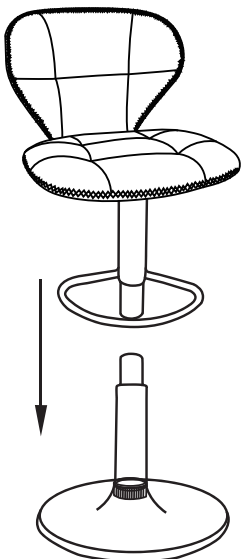
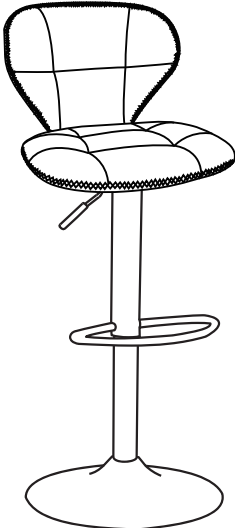
ITEM NAME / NOM D'ITEM: SALEM BAR CHAIR

ITEM #/NO. ITEM: 101714/101715/101716

PART LIST / LISTE DES PIÈCES

(1)	(2)	(3)	(4)
 x1	 x1	 x1	 x1
(5)	(6)	(7)	
 x1	 x4	<p>A.  M6x25mm x4 C.  Ø6mm x4</p> <p>B.  M6x18mm x4 D.  6mm x1</p>	

ASSEMBLY INSTRUCTIONS / INSTRUCTIONS D'ASSEMBLAGE

<p>I.</p> <p>REMOVE THE CAP BEFORE ASSEMBLY</p> 	<p>II.</p> 
<p>III.</p> 	<p>IV.</p> 

For missing parts or damaged parts, please call

USA : 1-866-798-6663

Canada : 514-382-6661