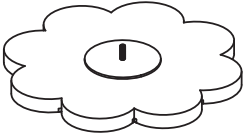
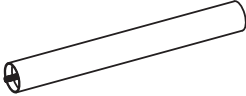
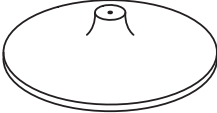
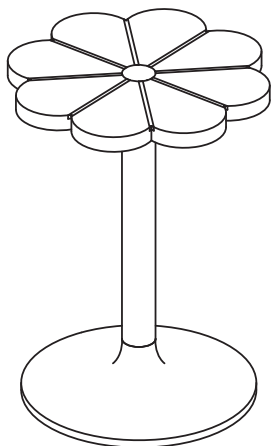
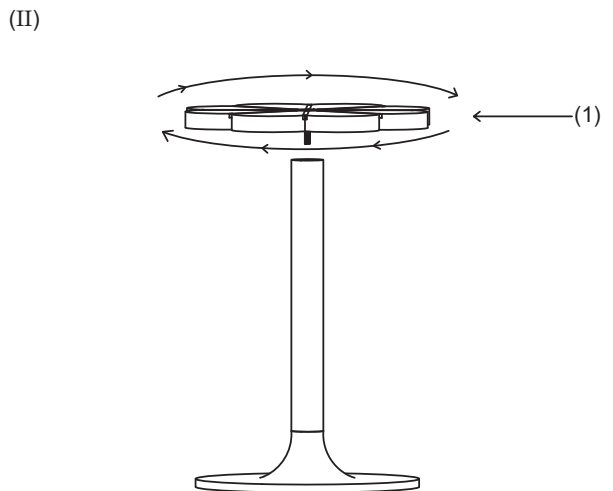
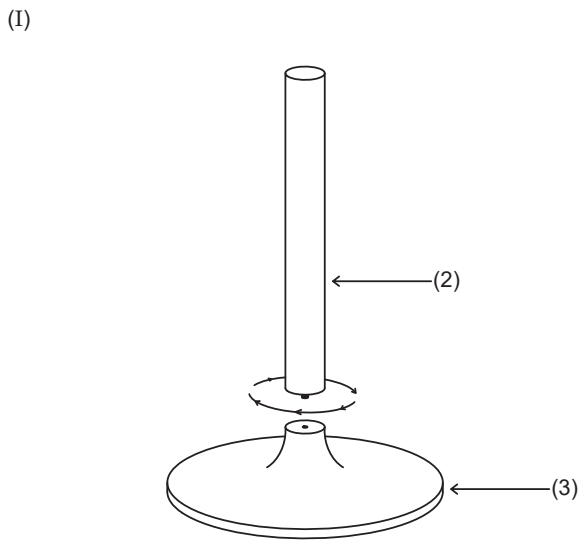


ITEM NAME / NOM D' ITEM: SCALLOP SIDE TABLE
ITEM # / NO.ITEM: 101539

PARTS LIST / LISTE DES PIÈCES

(1)	(2)	(3)	
 <p>TOP 1PC</p>	 <p>BASE SUPPORT 1PC</p>	 <p>BASE 1PC</p>	

ASSEMBLY INSTRUCTIONS / INSTRUCTIONS D' ASSEMBLAGE



ASSEMBLED PIECE