

# ITEM NAME /NOM D' ITEM:ACE COUNTER CHAIR

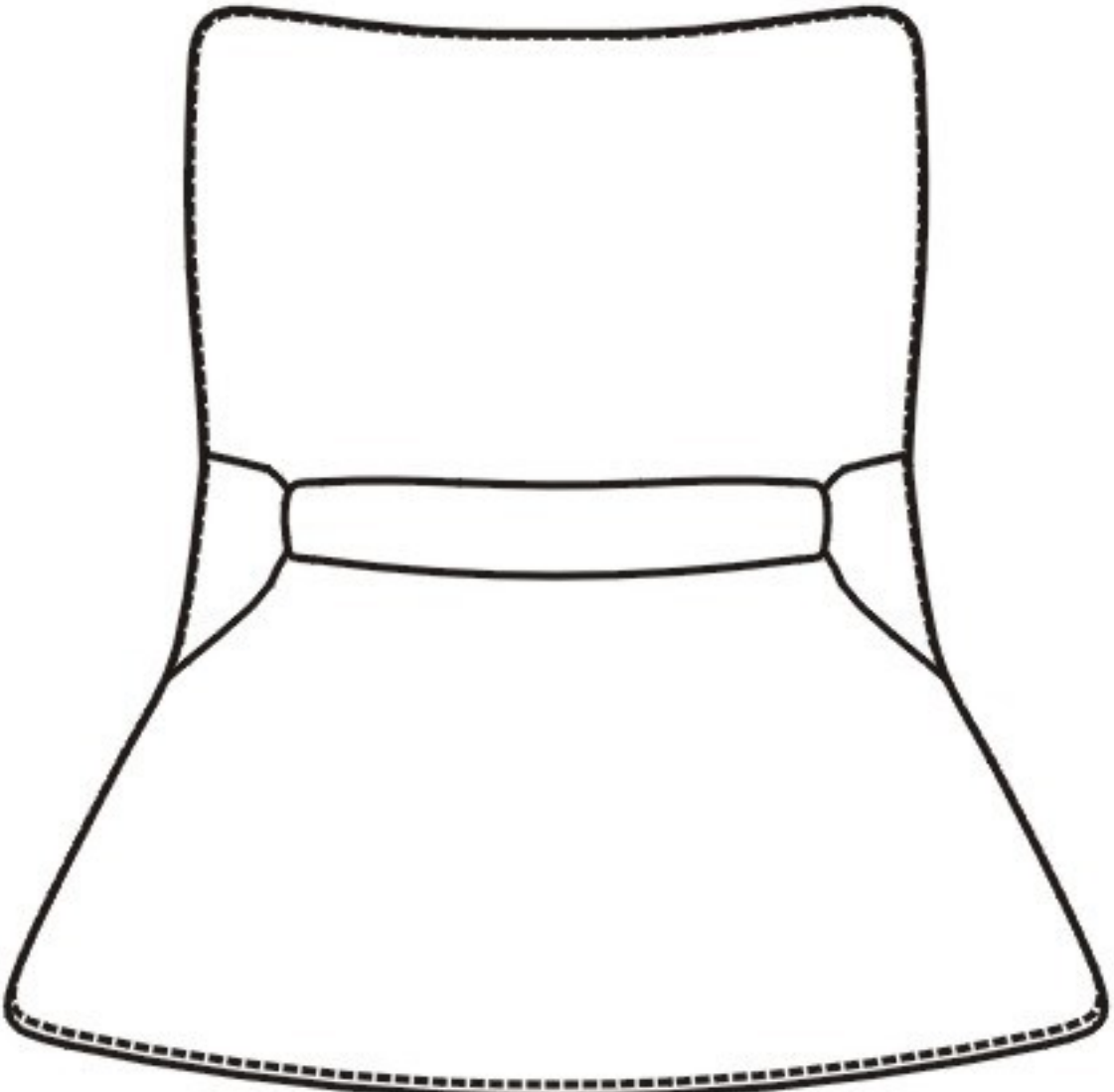
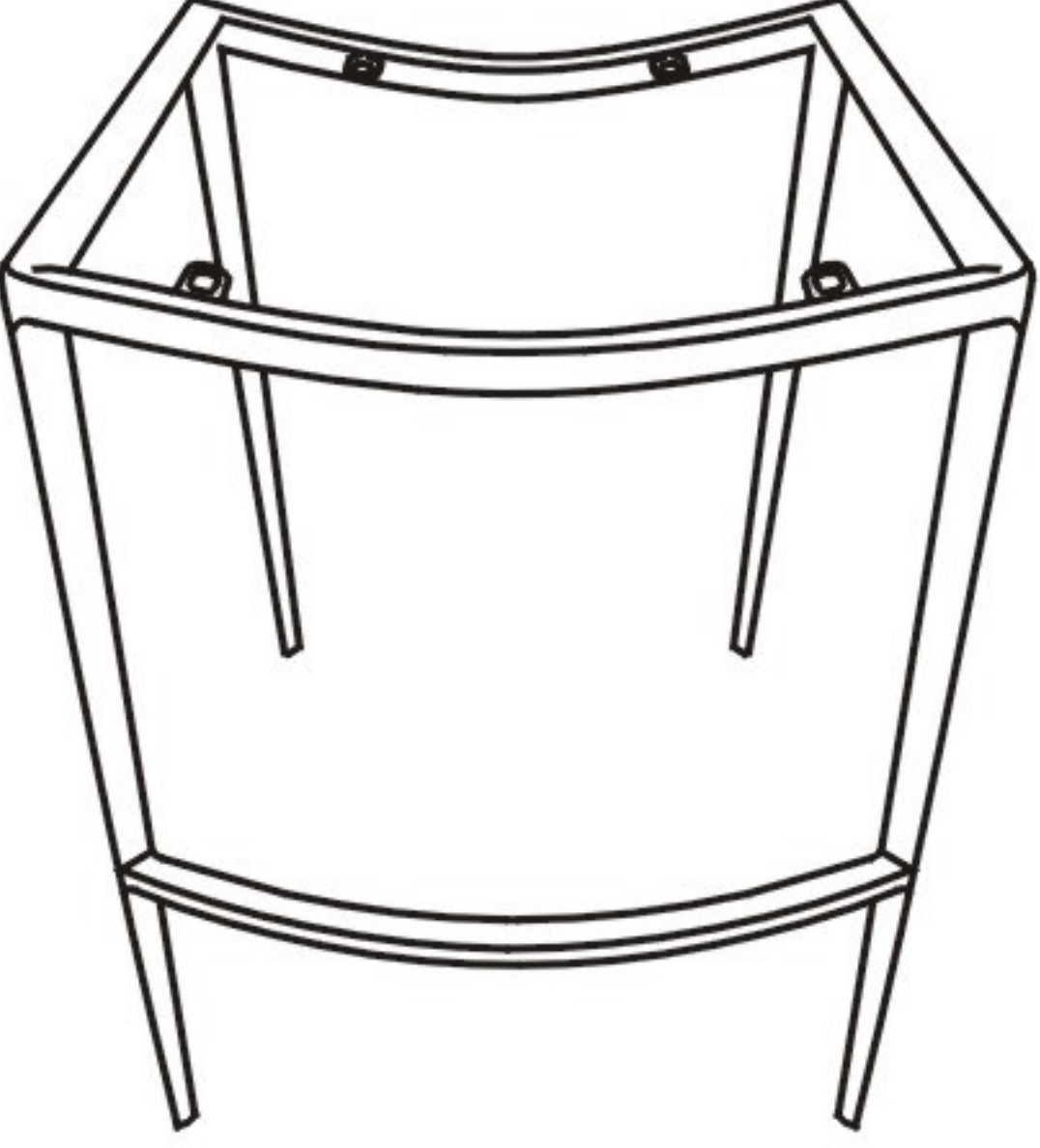









ITEM # /NO. ITEM:101390 (WHITE&BRUSHED SS)

101391 (BLACK&BRUSHED SS)

101392 (GRAY&WALNUT)

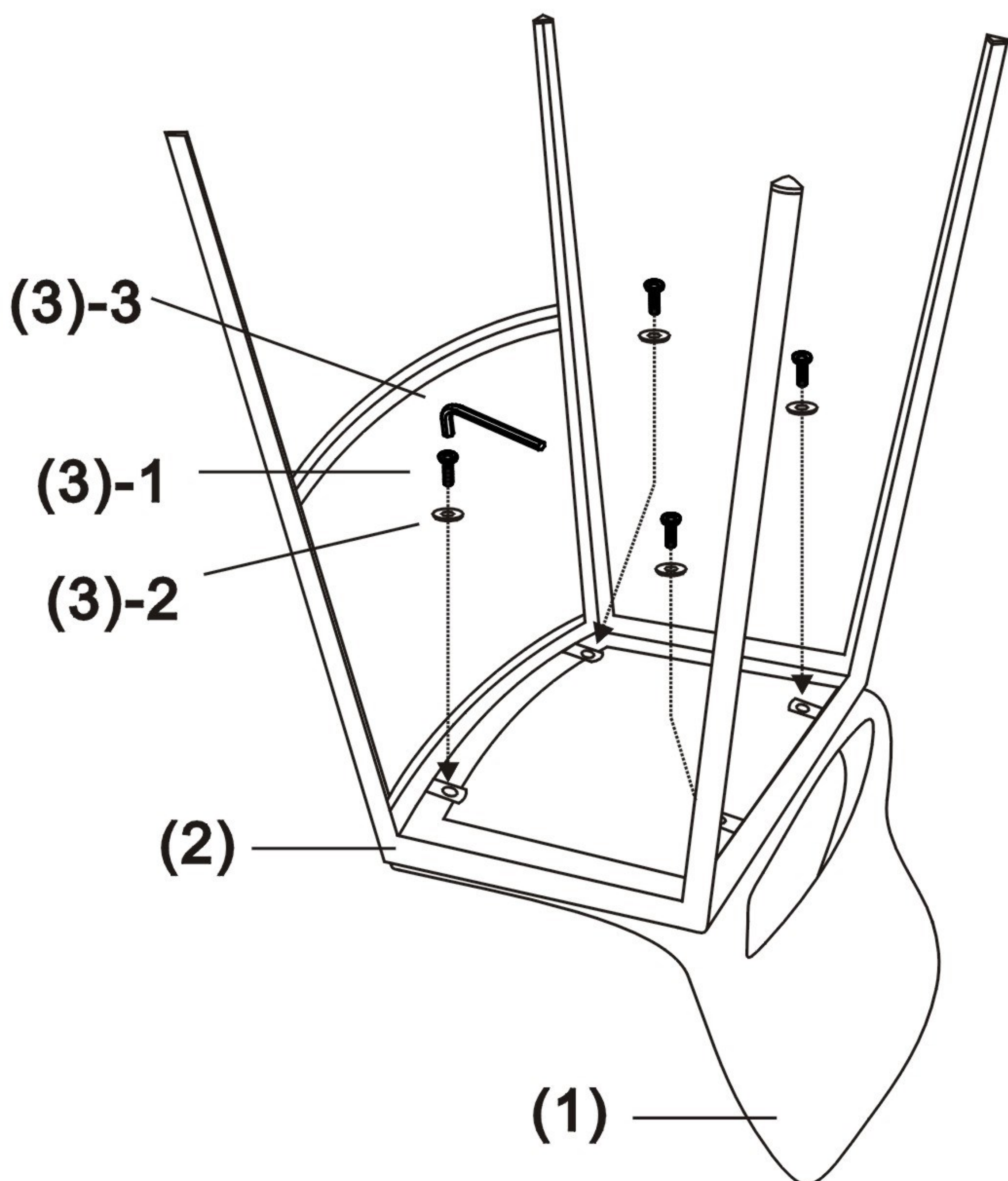
Enquiry:parts@zuomod.com

## PART LIST/Liste des pièces

(1)	(2)	(3)												
 X1	 X1	<table><tr><td>1.</td><td></td><td>X4</td><td>M4*20mm</td></tr><tr><td>2.</td><td></td><td>X4</td><td></td></tr><tr><td>3.</td><td></td><td>X4</td><td></td></tr></table>	1.		X4	M4*20mm	2.		X4		3.		X4	
1.		X4	M4*20mm											
2.		X4												
3.		X4												

## INSTRUCTION

**A**



**B**

