

ITEM NAME /NOM D' ITEM: BREE COUNTER/BAR CHAIR


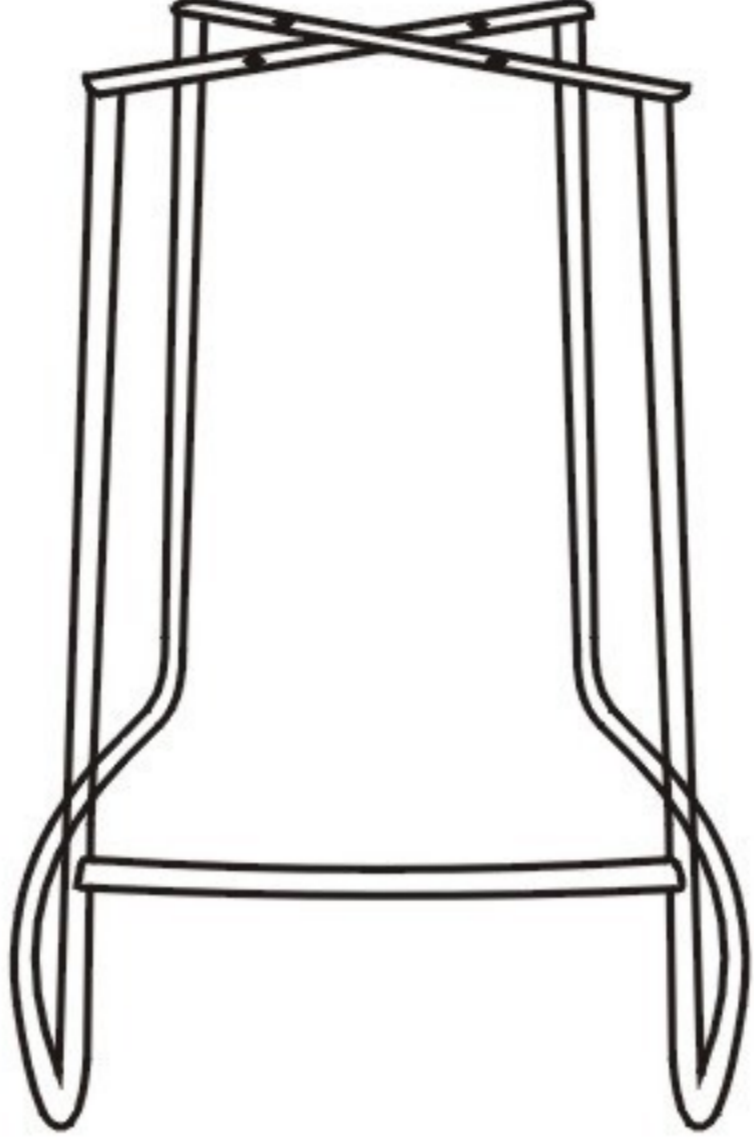


ITEM # /NO. ITEM: 101261/101264 (BURGUNDY)

101262/101265 (WHITE/BLANC)

101263/101266 (BLACK/NOIR)

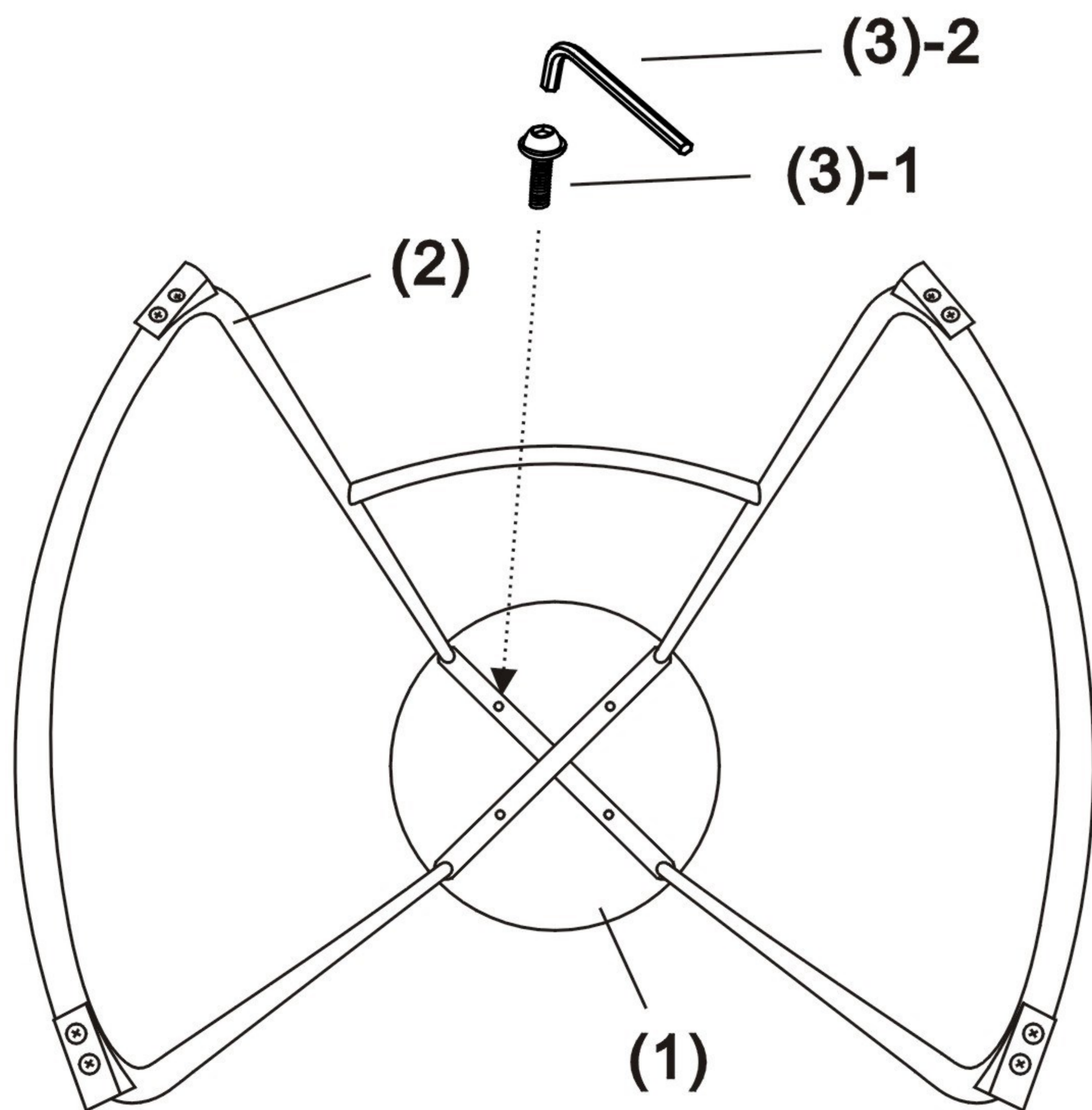
Enquiry: parts@zuomod.com

PART LIST/Liste des pièces

(1)	(2)	(3)
 X1	 X1	1.  X4 6*20mm 2.  X1

INSTRUCTION

A



B

