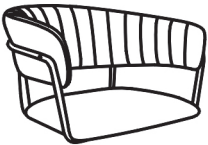


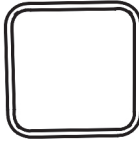




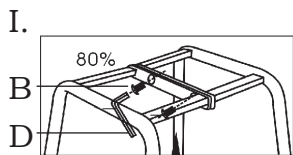


**ITEM NAME / NOM D'ITEM: HANNA BAR CHAIR**  
**ITEM #/NO. ITEM: 101217/101218**

**PART LIST / LISTE DES PIÈCES**

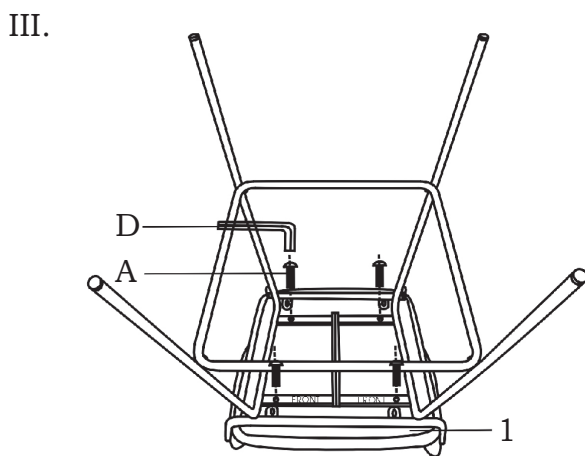
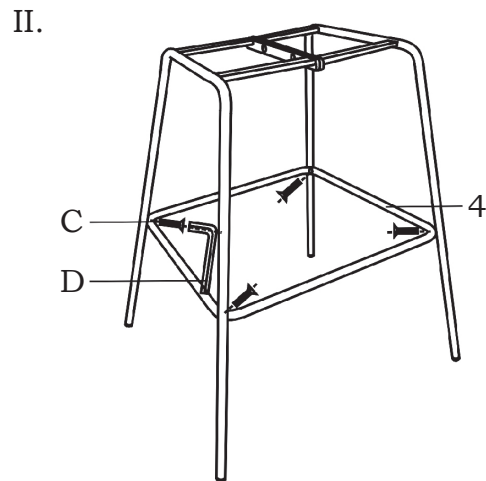
| (1)   | (2)   | (3)   | (4)  | (5)   |
|---|---|---|--|---|
|  |  |  |  | <p>A.  M6x25mm x4</p> <p>B.  M8x14mm x2</p> <p>C.  M6x25mm x4</p> <p>D.  6mm x1</p> |
| x1  | x1  | x1  | x1   |   |

**ASSEMBLY INSTRUCTIONS / INSTRUCTIONS D'ASSEMBLAGE**



2 3

\*Make sure (2) & (3) are parallel and just 80% tightening (B). (No screw up). After everything screwed in the right place, sit and make sure the chair is balance then tighten the screws (B) in the final stage.



1

For missing parts or damaged parts, please call

USA : 1-866-798-6663

Canada : 514-382-6661