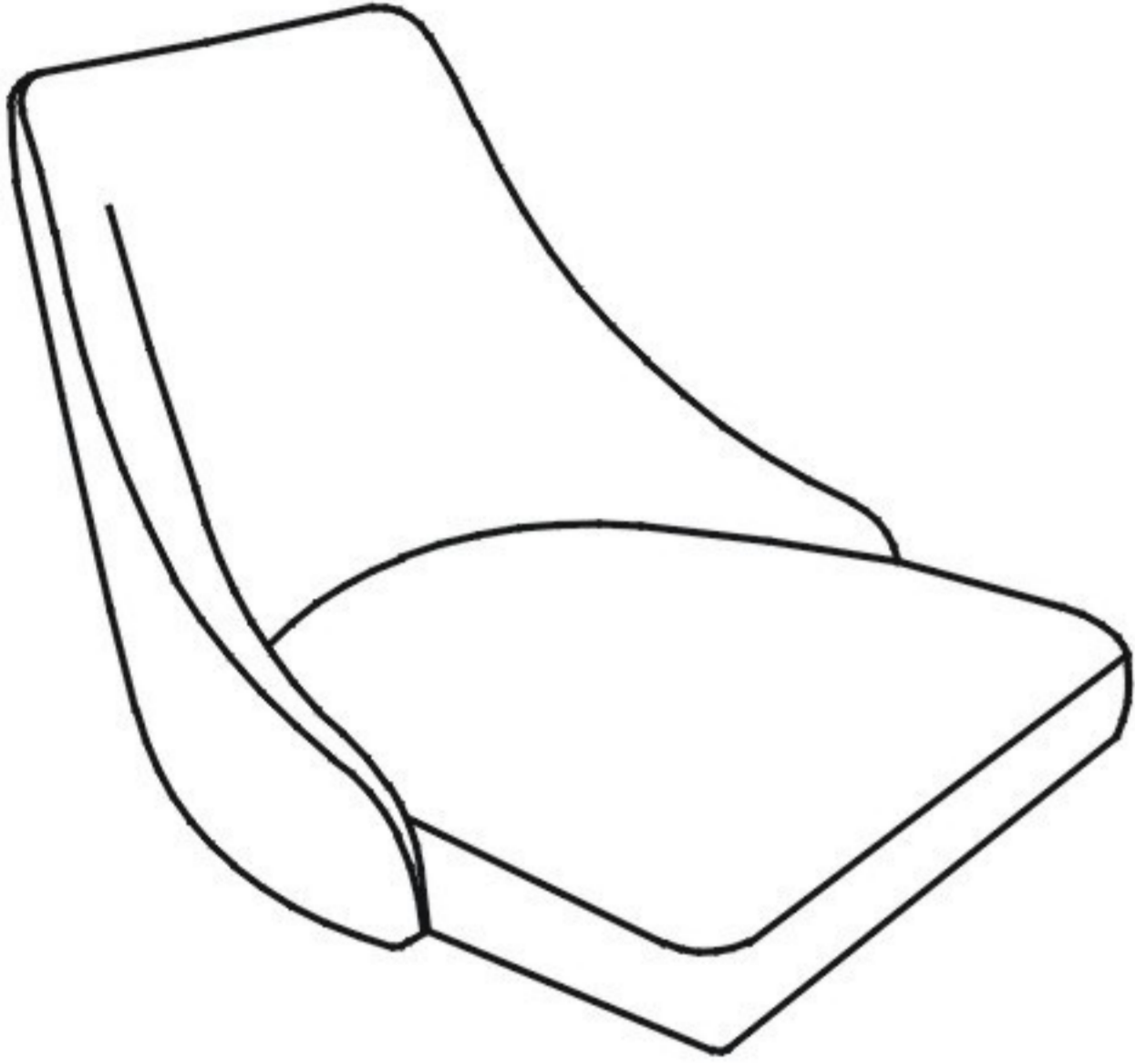
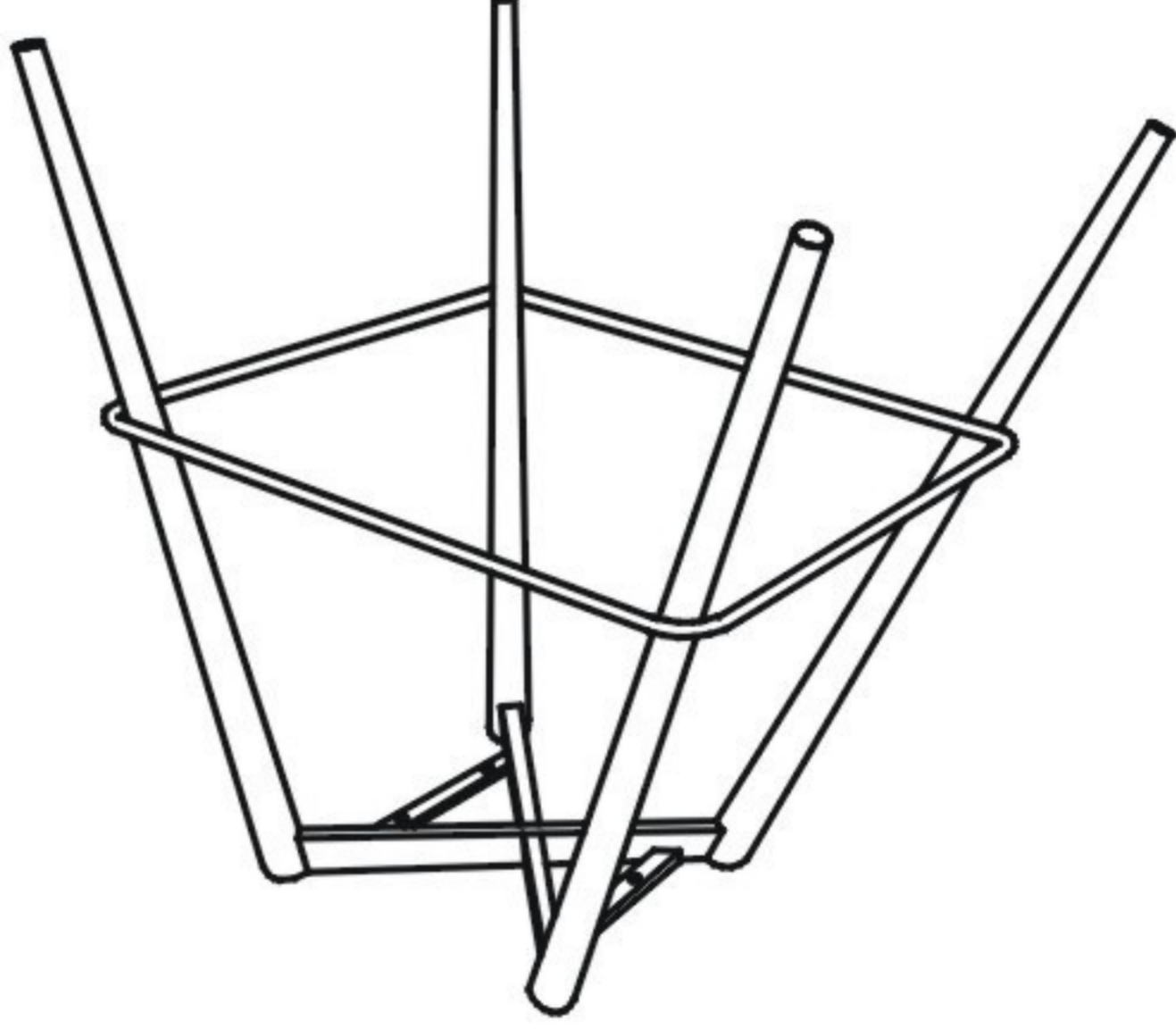





# ITEM NAME /NOM D' ITEM:PICCOLO COUNTER CHAIR

ITEM # /NO. ITEM:101092 (LIGHT BROWN) 101093 (GRAY)  
101094 (GREEN/VERT) 101095 (YELLOW)

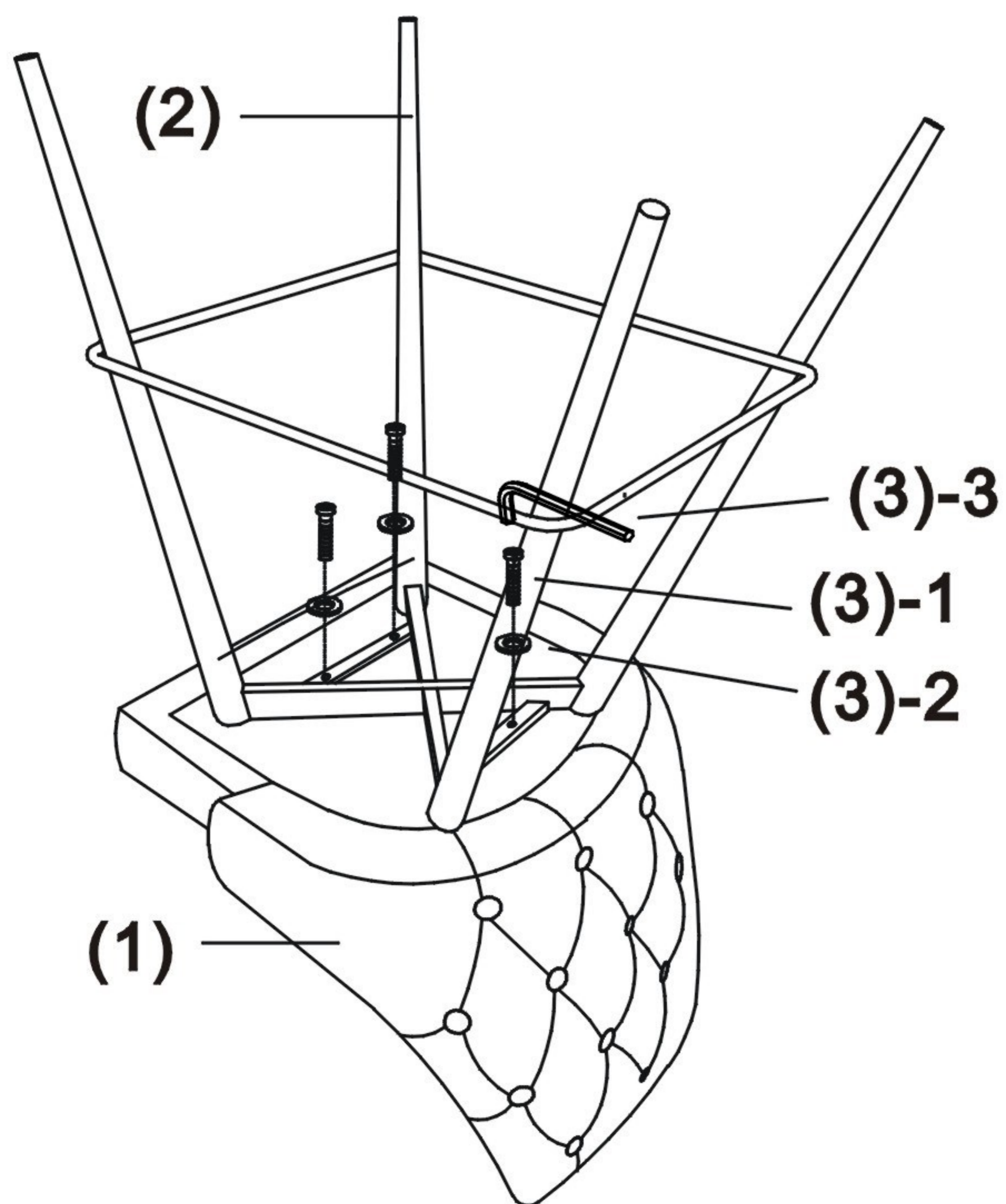
Enquiry:parts@zuomod.com

## PART LIST/Liste des pièces

(1)	(2)	(3)
 X1	 X1	1.  X3 M6*20mm 2.  X3 3.  X1

## INSTRUCTION

**A**



**B**

