








ITEM NAME /NOM D' ITEM:SCIENTIST LOW BACK OFFICE CHAIR
ITEM # /NO. ITEM:101017 (BLACK/NOIR) 101018 (WHITE/BLANC)

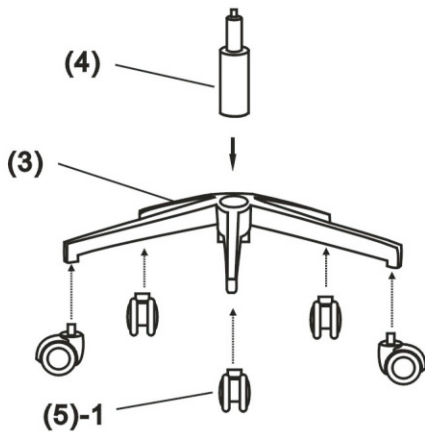
Enquiry:parts@zuomod.com

PART LIST/Liste des pièces

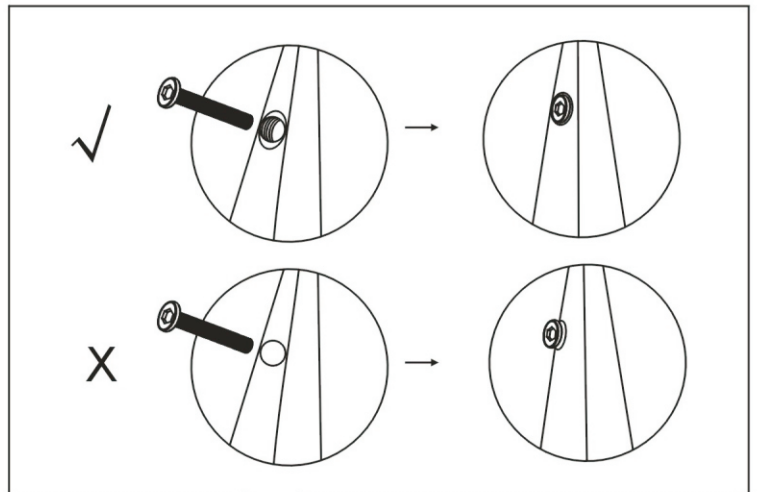
(1)	(2)	(3)	(4)	(5)
 X1	 X2	 X1	 X1	1.  X5 2.  X6 6*40mm 3.  X1

INSTRUCTION

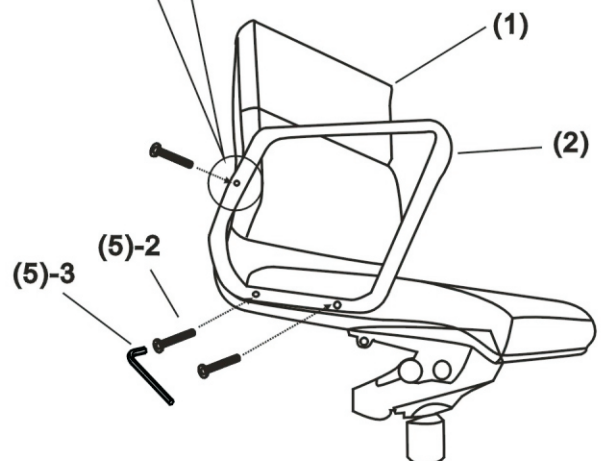
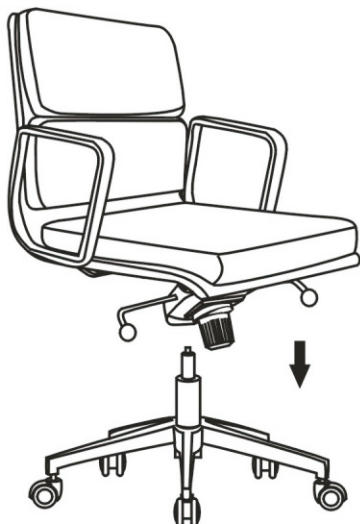
A



B



C



Put all the screws and tighten at the same time