

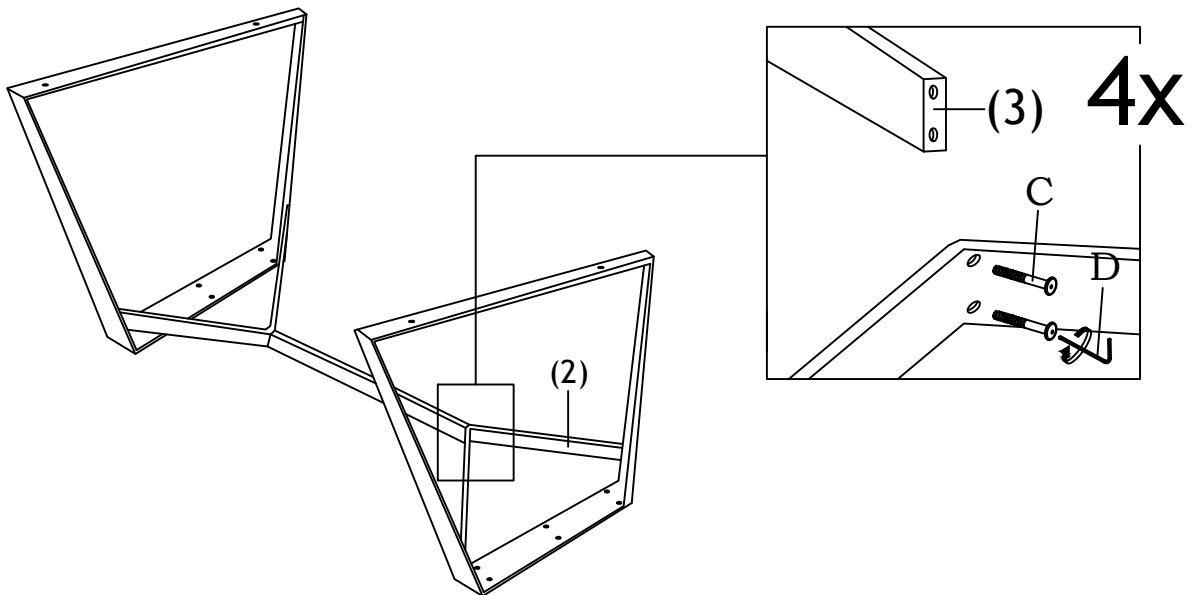
**ITEM NAME/NOM D'ITEM: FLETCHER DINING TABLE TOP**  
**ITEM #/NO.ITEM : 100958**

**PARTS LIST/LISTE DES PIÈCES**

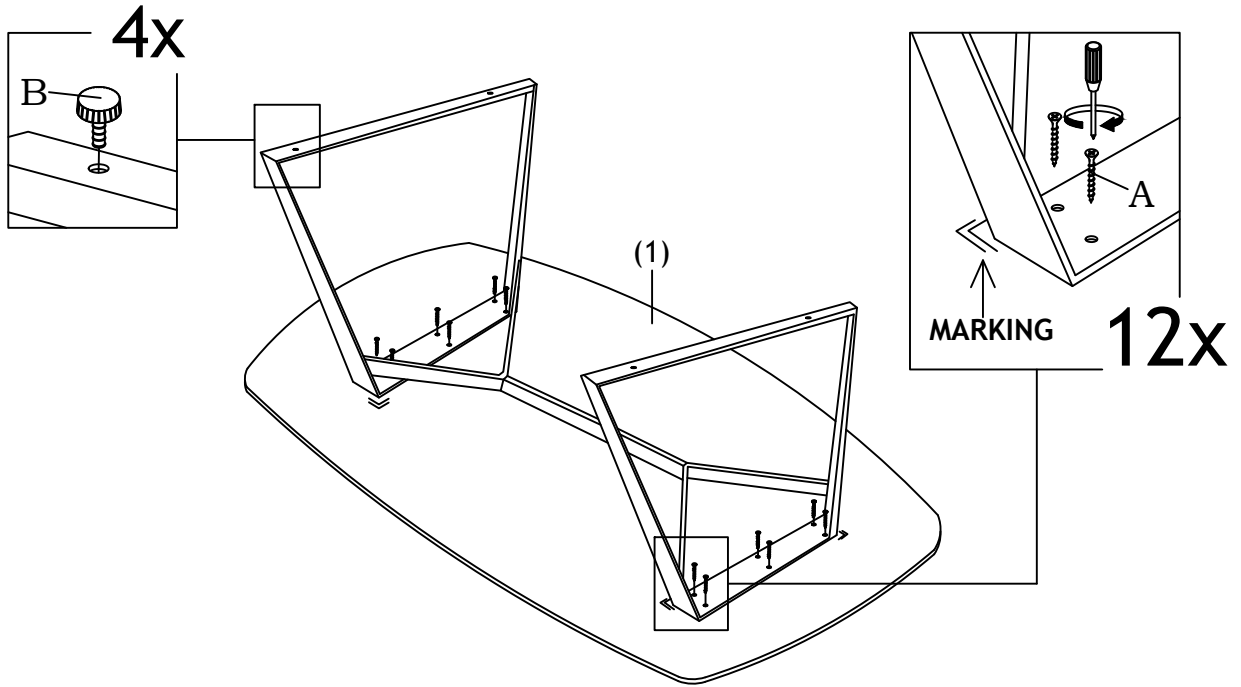
(1)	(2)	(4)
<p style="text-align: right;"><b>x1</b></p>	<p style="text-align: right;"><b>x2</b></p>	<p><b>A.</b> PAN HEAD WOOD SCREW M4 X 25MM <b>x12</b></p> <p><b>B.</b> ADJUSTABLE SCREW <b>x4</b></p> <p><b>C.</b> JCBC SCREW M6 x 50MM (BLK) <b>x4</b></p> <p><b>D.</b> M4 ALLEN KEY (BALL SHAPE) LONG <b>x1</b></p>
(3)		
<p style="text-align: right;"><b>x1</b></p>		

**ASSEMBLY INSTRUCTIONS/INSTRUCTIONS D'ASSEMBLAGE**

I.



II.



III.

