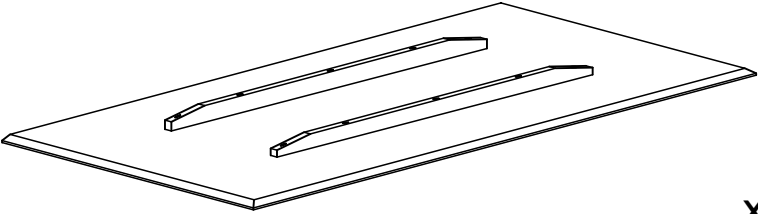
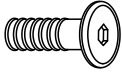
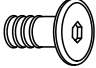
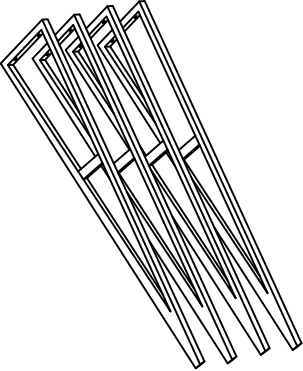
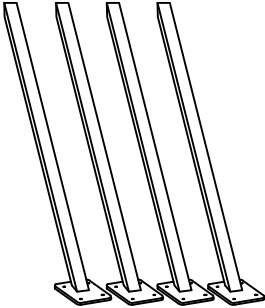
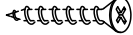



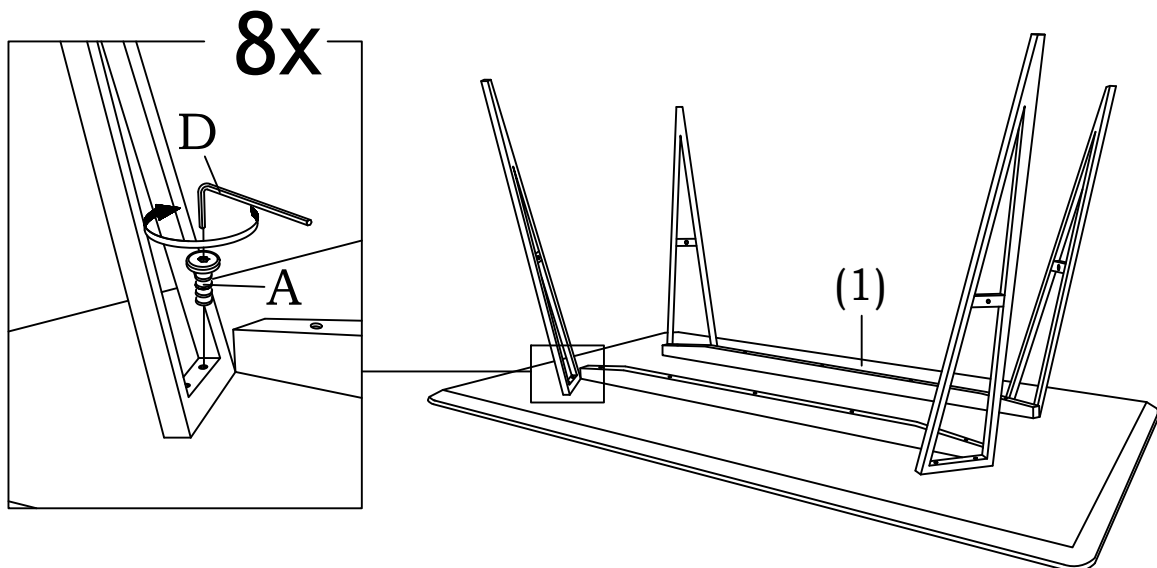
**ITEM NAME/NOM D'ITEM: AUDREY DINING TABLE**  
**ITEM #/NO.ITEM : 100954**

## PARTS LIST/LISTE DES PIÈCES

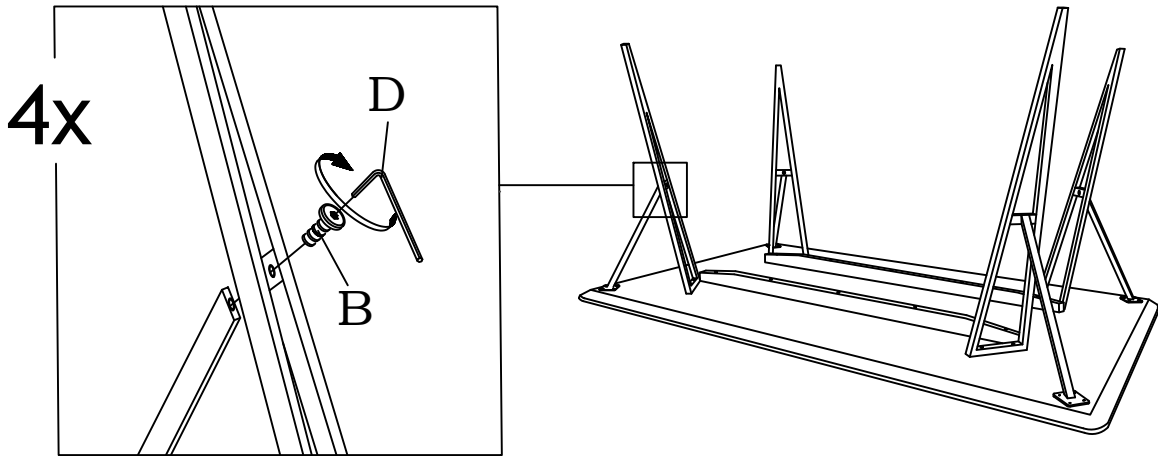
(1)	(2)	(3)	(4)
 <p style="text-align: right;"><b>x1</b></p>		<p><b>A.</b> JCBC M6 X 30MM (BLK) <b>x8</b></p>  <p><b>B.</b> JCBC M6 X 20MM (BLK) <b>x4</b></p> 	
<p style="text-align: center;">(2)</p>  <p style="text-align: right;"><b>x4</b></p>	<p style="text-align: center;">(3)</p>  <p style="text-align: right;"><b>x4</b></p>	<p><b>C.</b> PAN HEAD SCREW M4 x 16MM <b>x16</b></p>  <p><b>D.</b> M4 ALLEN KEY (BALL SHAPE) LONG <b>x1</b></p> 	

## ASSEMBLY INSTRUCTIONS/INSTRUCTIONS D'ASSEMBLAGE

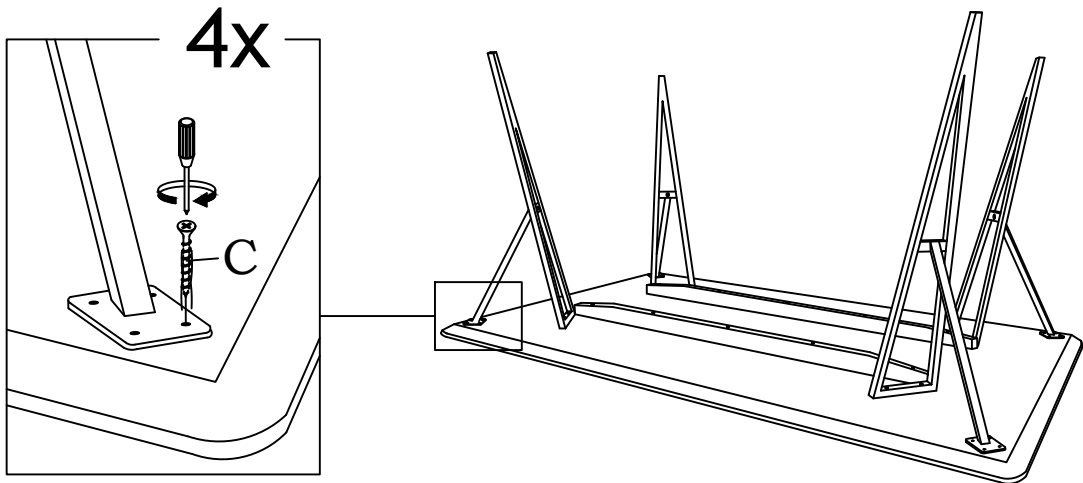
I.



II.



III.



IV.

