

**ITEM NAME /NOM D' ITEM:WILSHIRE OCCASIONAL CHAIR**

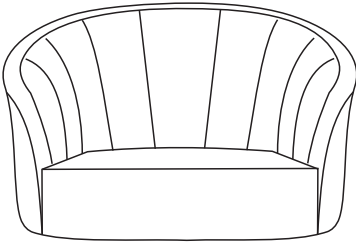

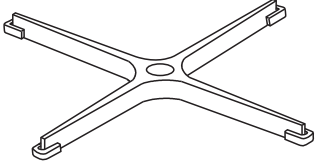
ITEM # /NO. ITEM:100767 (VINTAGE COFFEE)

100768 (BLACK/NOIR)

100769 (WHITE/BLANC)

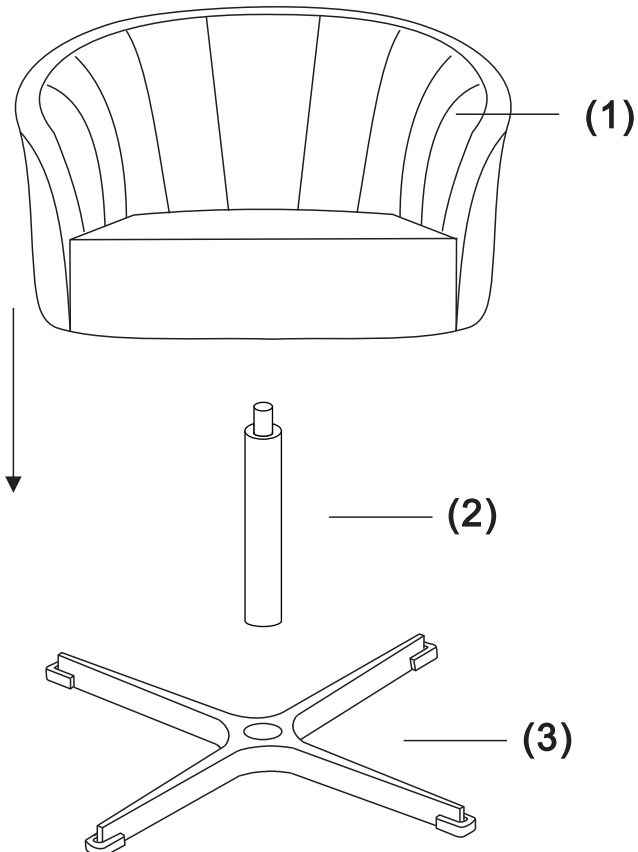
Enquiry:parts@zuomod.com

**PART LIST/Liste des pièces**

(1)	(2)	(3)
 <p>X1</p>	 <p>X1</p>	 <p>X1</p>

**INSTRUCTION**

**A**



**B**

