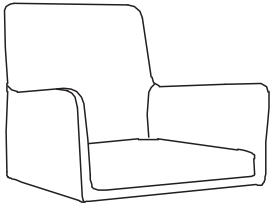
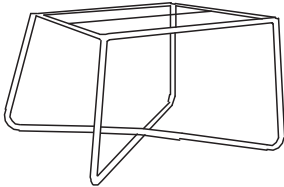




ITEM NAME /NOM D' ITEM:AXEL DINING CHAIR

ITEM # /NO. ITEM:100763(WHITE)

Enquiry:parts@zuomod.com

PART LIST/Liste des pièces

(1)	(2)	(3)
 <p>X1</p>	 <p>X1</p>	<p>1.  X4 6*25mm</p> <p>2.  X1</p>

INSTRUCTION

