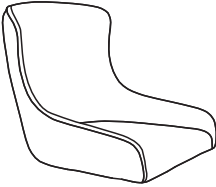





ITEM NAME /NOM D' ITEM:DRESDEN DINING CHAIR

ITEM # /NO. ITEM:100757(BLACK/NOIR)

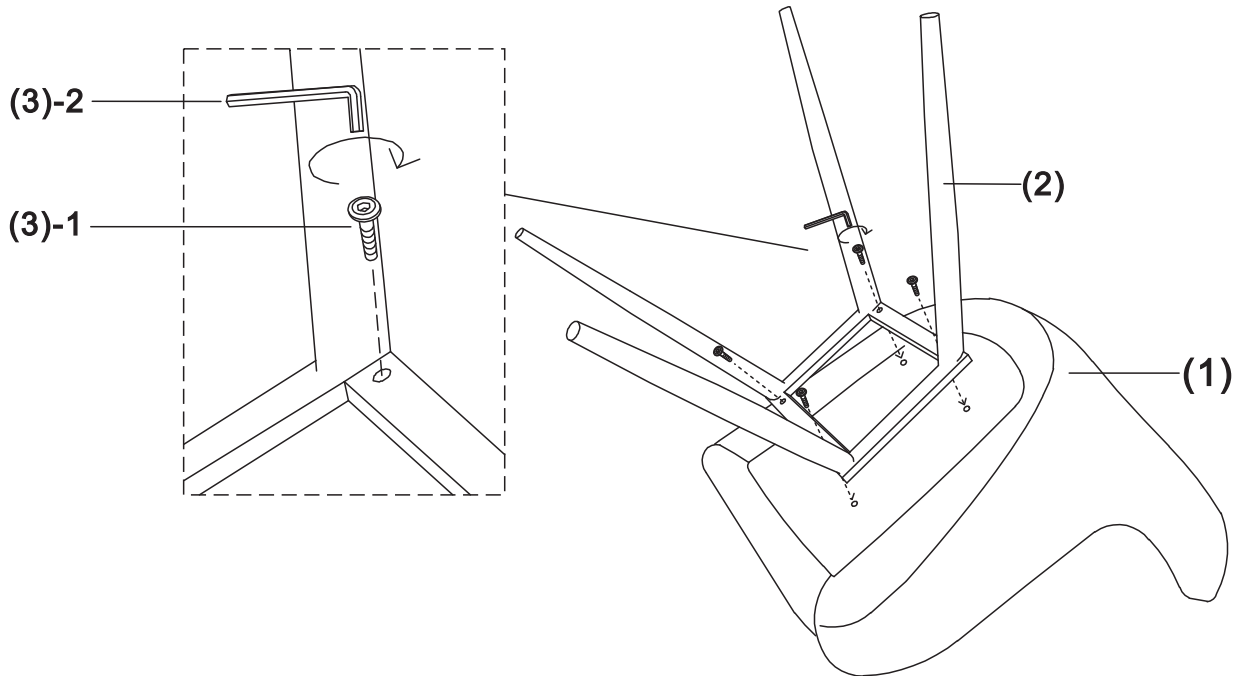
Enquiry:parts@zuomod.com

PART LIST/Liste des pièces

(1)	(2)	(3)
 X1	 X1	<p>1.  X4 6*25mm</p> <p>2.  X1</p>

INSTRUCTION

A



B

