

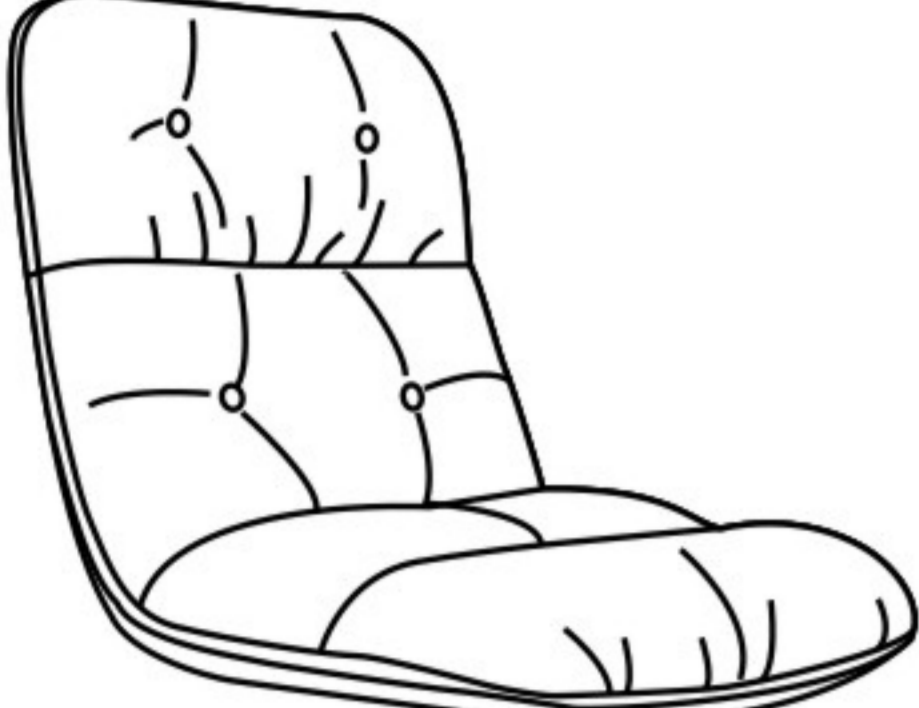
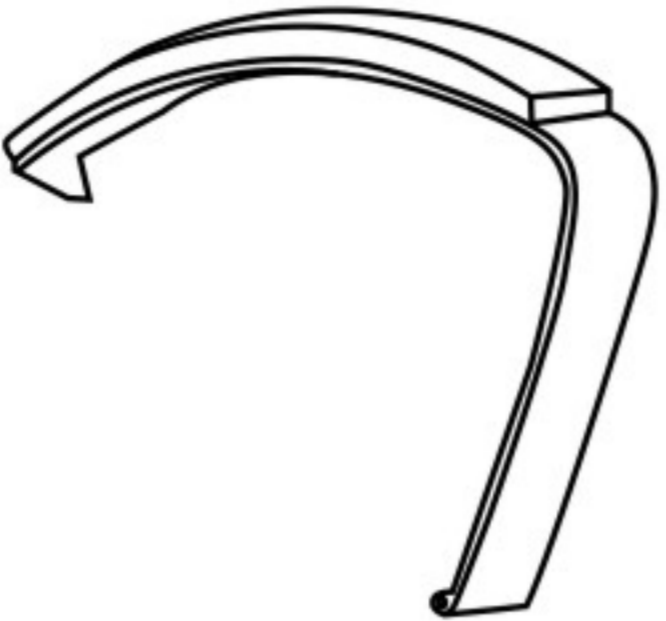
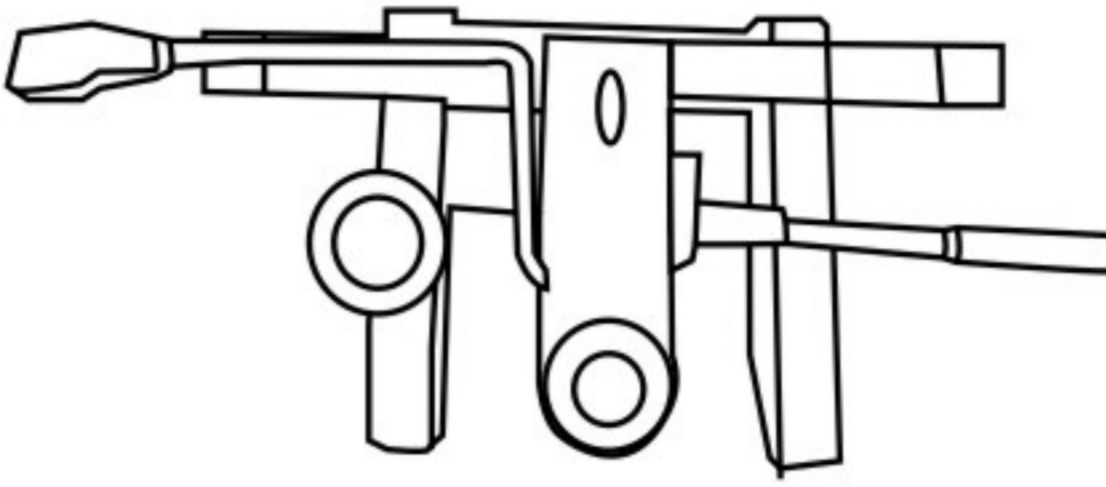








ITEM NAME /NOM D' ITEM:AVENUE OFFICE CHAIR

ITEM # /NO. ITEM:100446(VINTAGE COFFEE)

100447(VINTAGE GRAY)

Enquiry:parts@zuomod.com

PART LIST/Liste des pièces

(1)	(2)	(3)	(4)
 X1	 X2	 X1	 X1
(5)	(6)	(7)	
 X1	 X5	1.  X6 M6*25mm	4.  X1 M4
		2.  X4 M6*30mm	5.  X1 M6
		3.  X4	

INSTRUCTION

