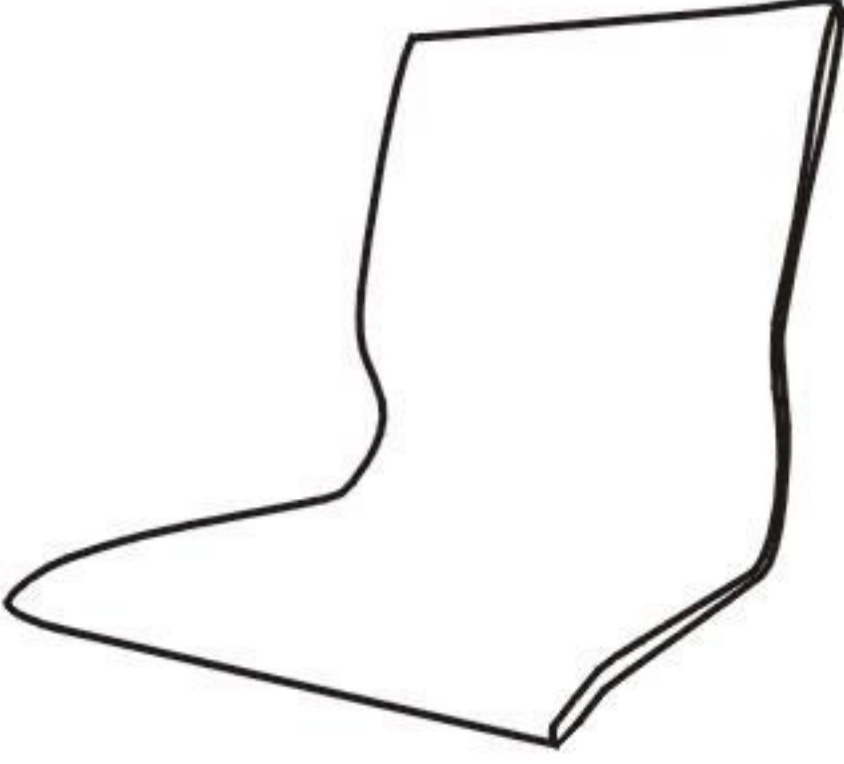
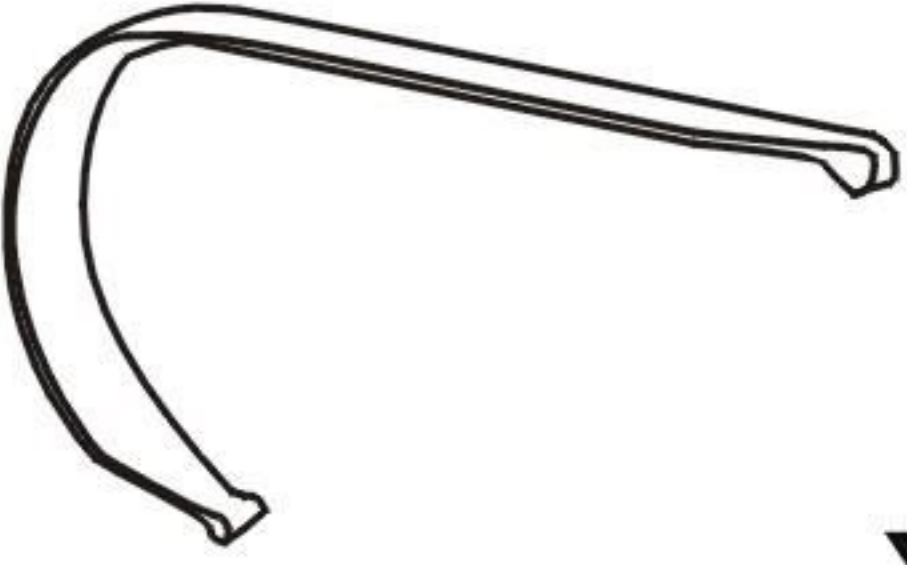
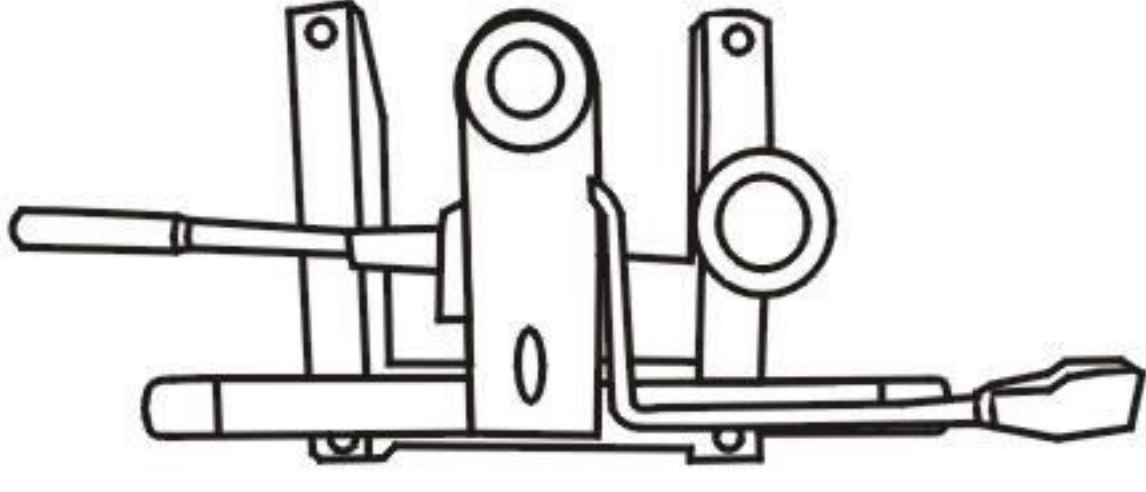








ITEM NAME /NOM D' ITEM:GLIDER LO BACK OFFICE CHAIR

ITEM # /NO. ITEM:100374 (BLACK/NOIR) 100375 (WHITE/BLANC)
100376 (TAUPE) 100835(GRAY/GRIS)

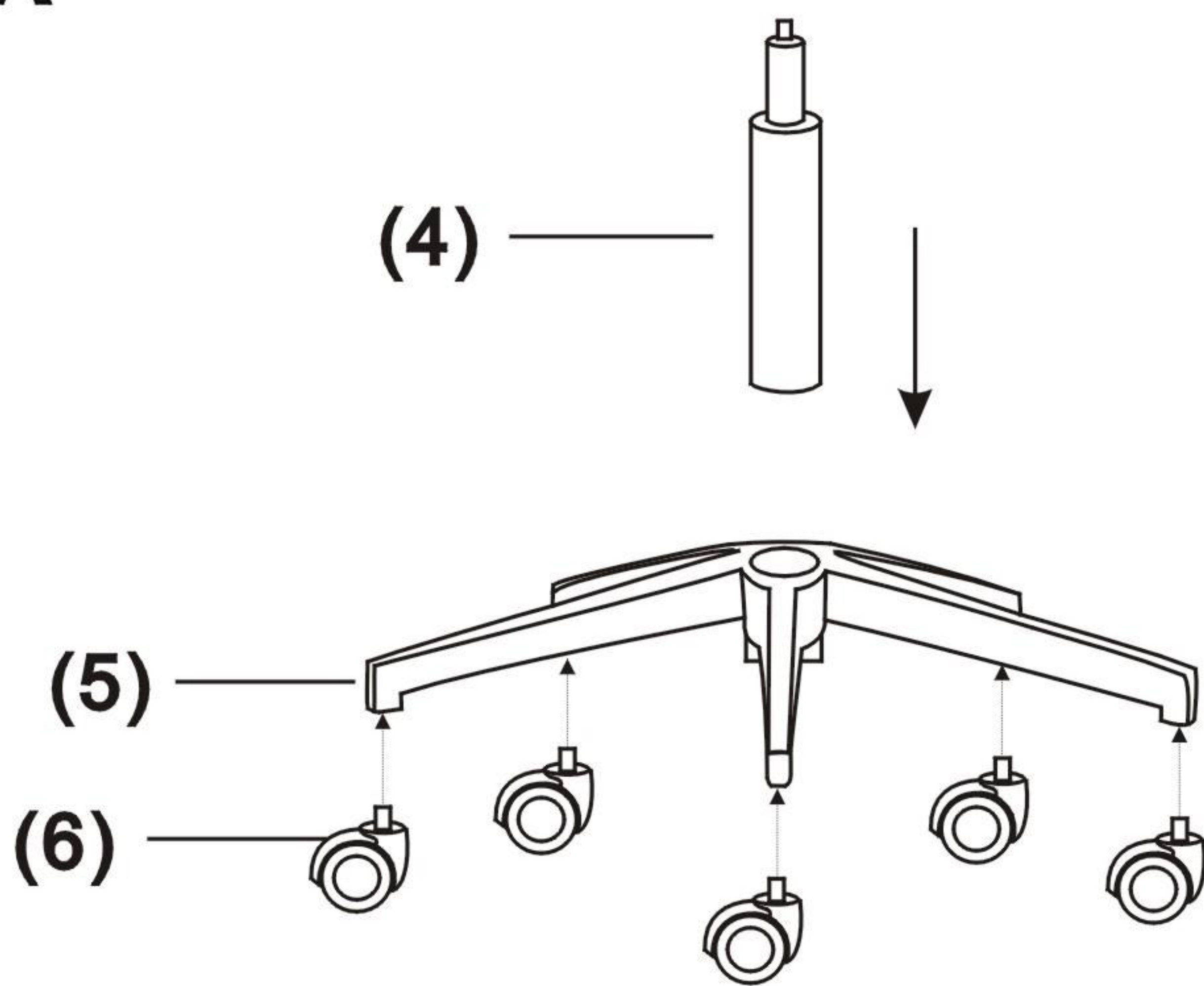
Enquiry:parts@zuomod.com

PART LIST/Liste des pièces

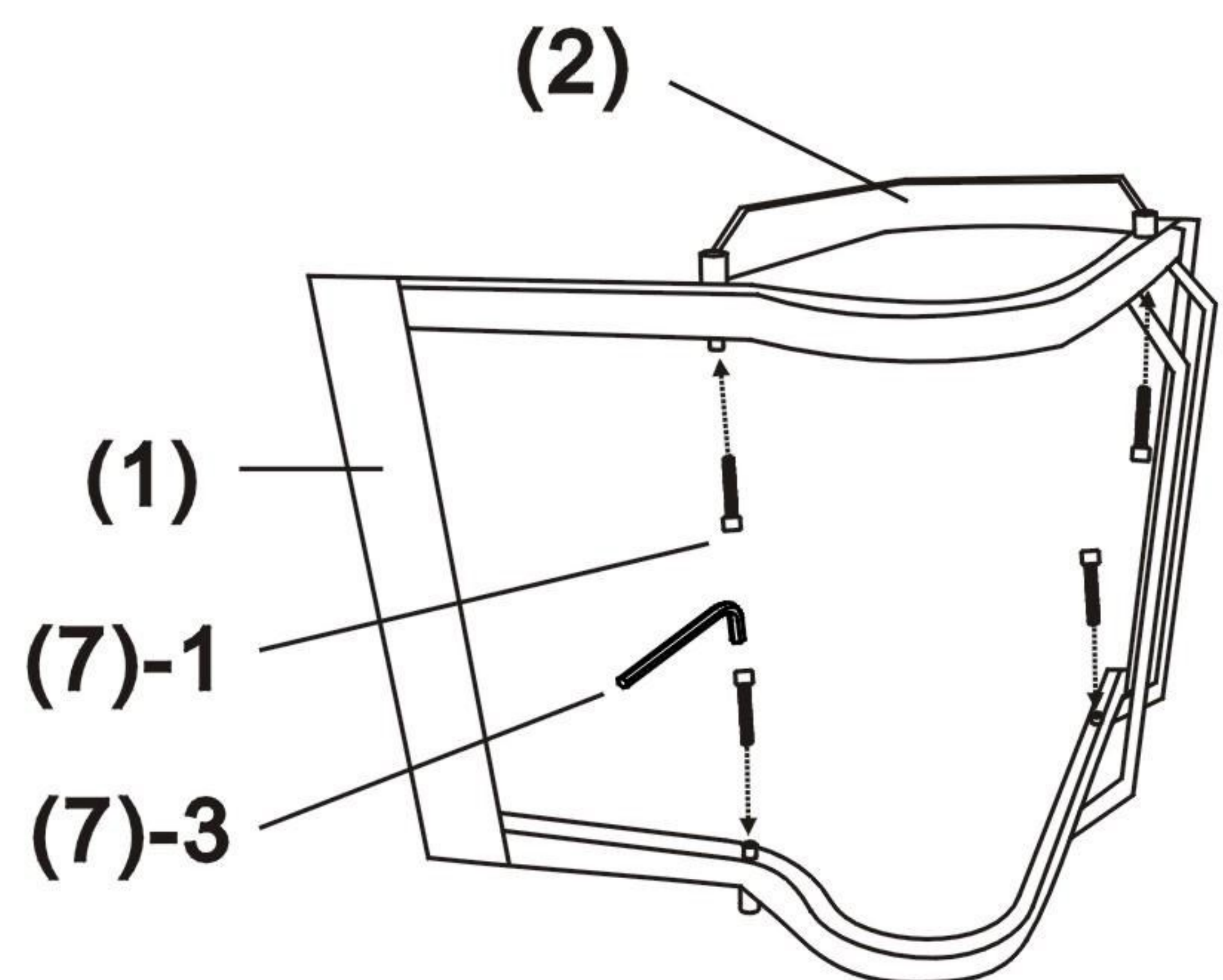
| (1) | (2) | (3) | (4) |
|---|---|--|---|
|  X1 |  X2 |  X1 |  X1 |
| (5) | (6) | (7) | |
|  X1 |  X5 | 1.  X4 8*40mm | |
| | | 2.  X4 8*16mm | |
| | | 3.  X1 | |

INSTRUCTION

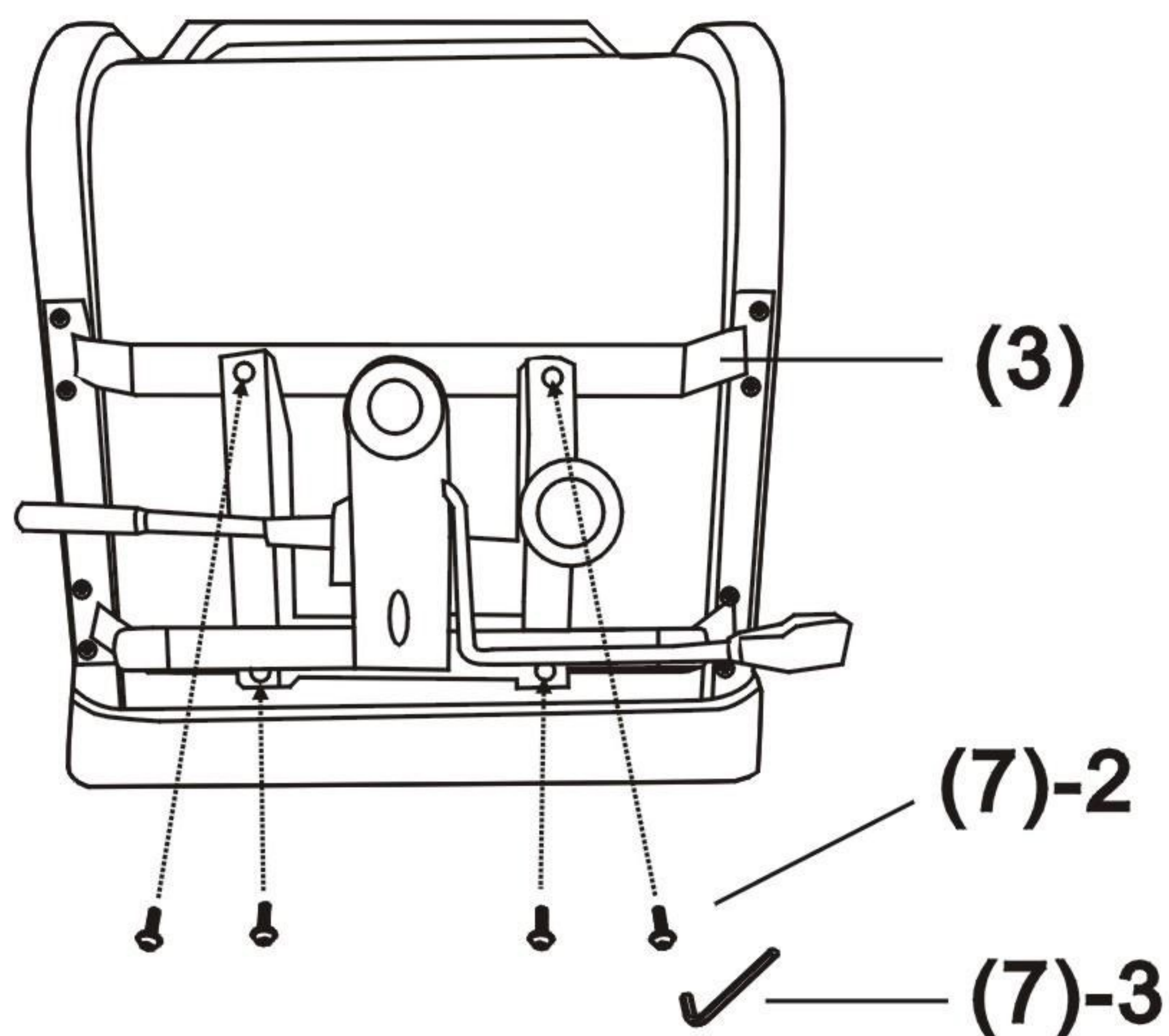
A



B



C



D

