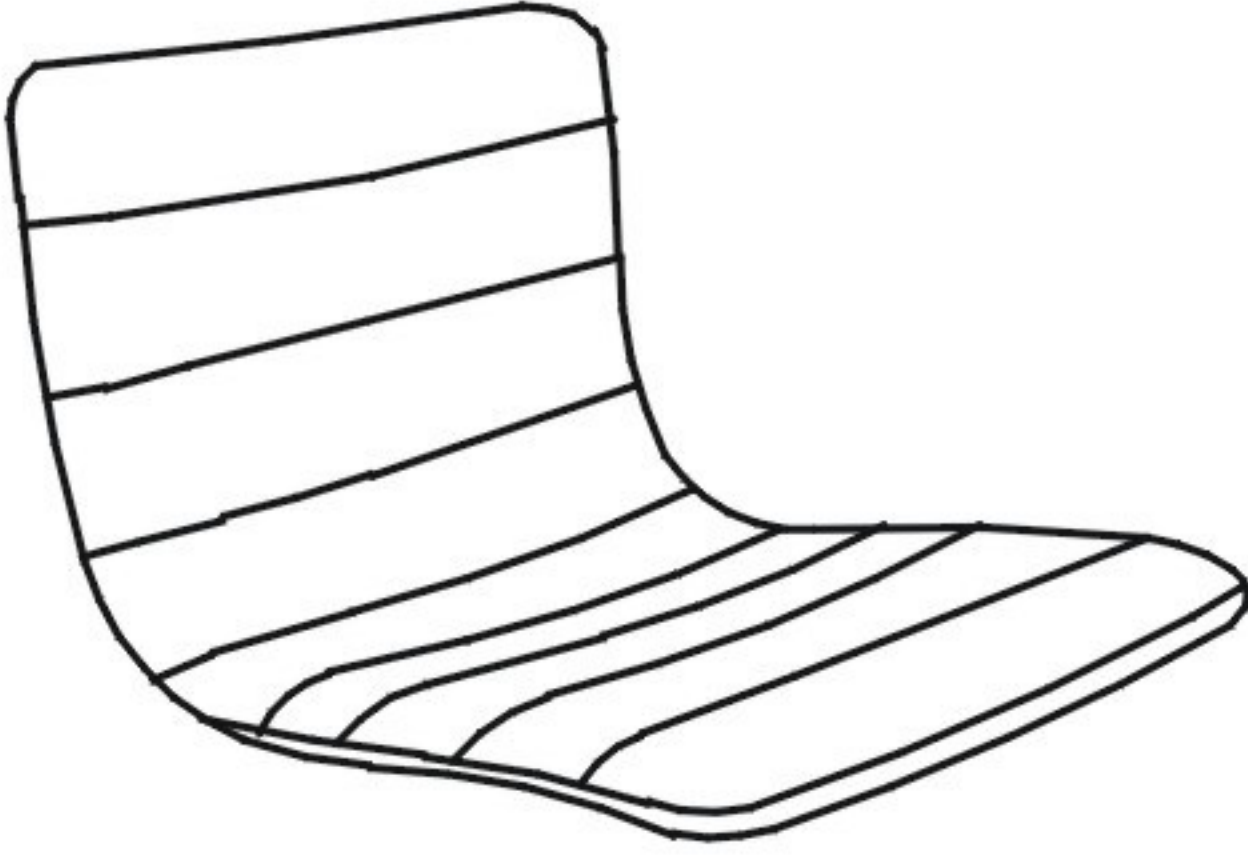
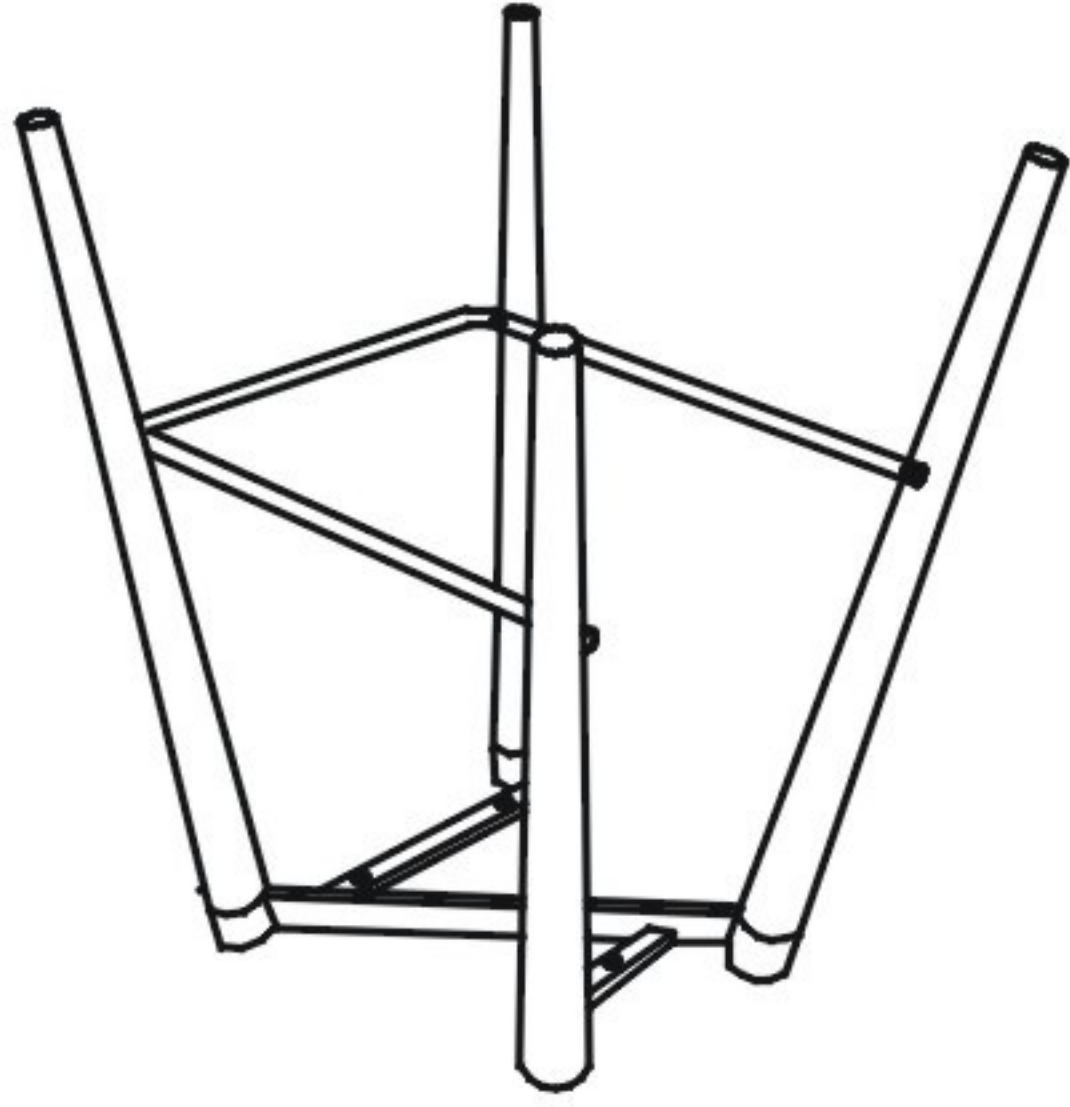
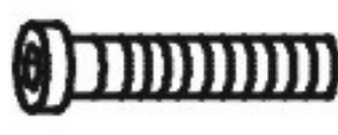
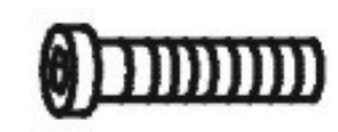


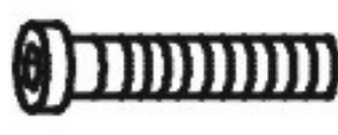
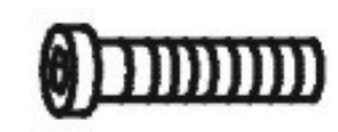


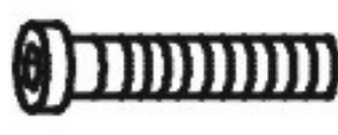
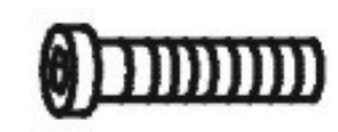




ITEM NAME /NOM D' ITEM:JERICHO COUNTER CHAIR

ITEM # /NO. ITEM:100272 (GRAY) 100273 (PURPLE)

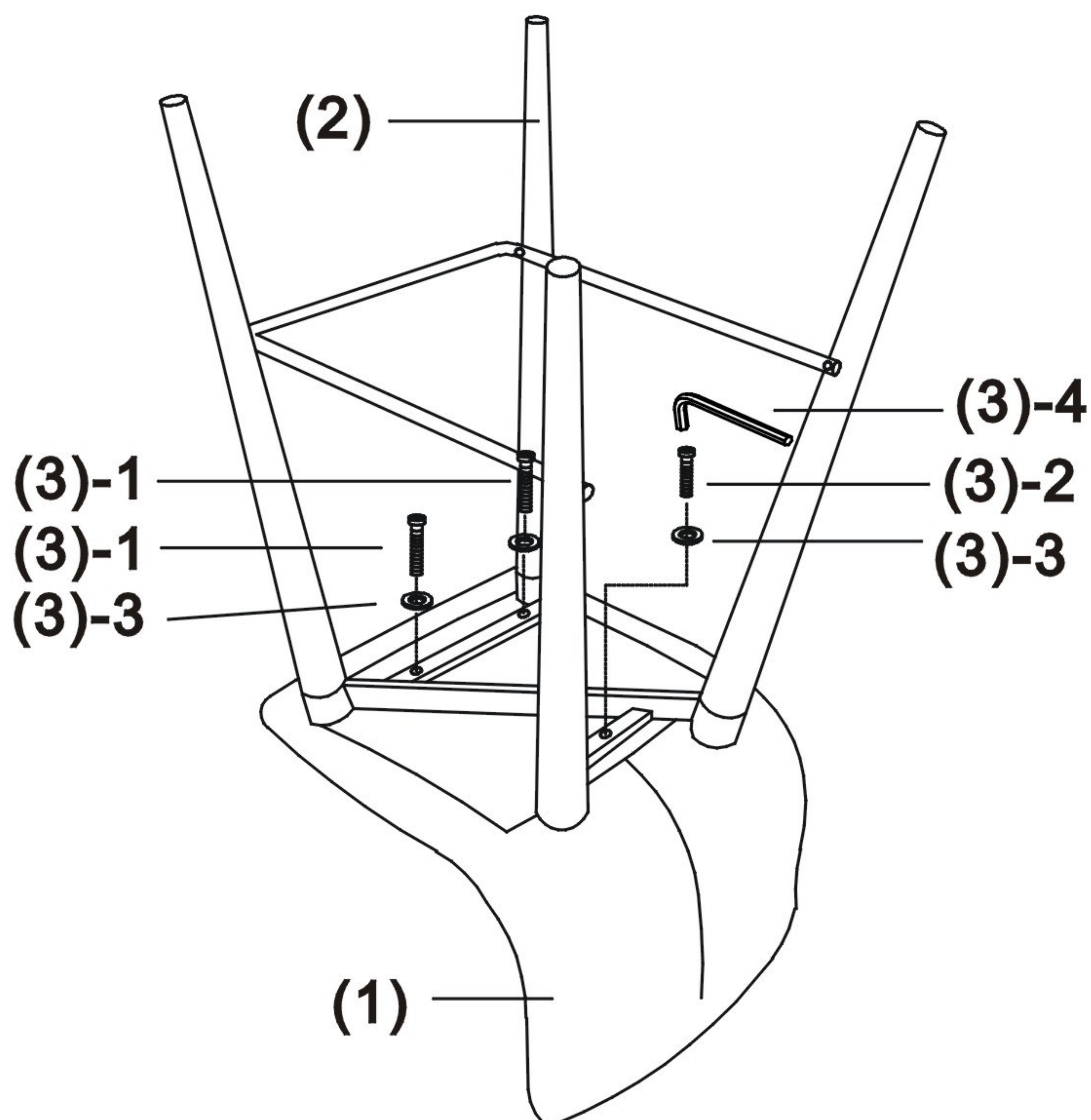
Enquiry:parts@zuomod.com

PART LIST/Liste des pièces

(1)	(2)	(3)																
 X1	 X1	<table><tr><td>1.</td><td></td><td>X2</td><td>M6*35mm</td></tr><tr><td>2.</td><td></td><td>X1</td><td>M6*30mm</td></tr><tr><td>3.</td><td></td><td>X3</td><td></td></tr><tr><td>4.</td><td></td><td>X1</td><td></td></tr></table>	1.		X2	M6*35mm	2.		X1	M6*30mm	3.		X3		4.		X1	
1.		X2	M6*35mm															
2.		X1	M6*30mm															
3.		X3																
4.		X1																

INSTRUCTION

A



B

