

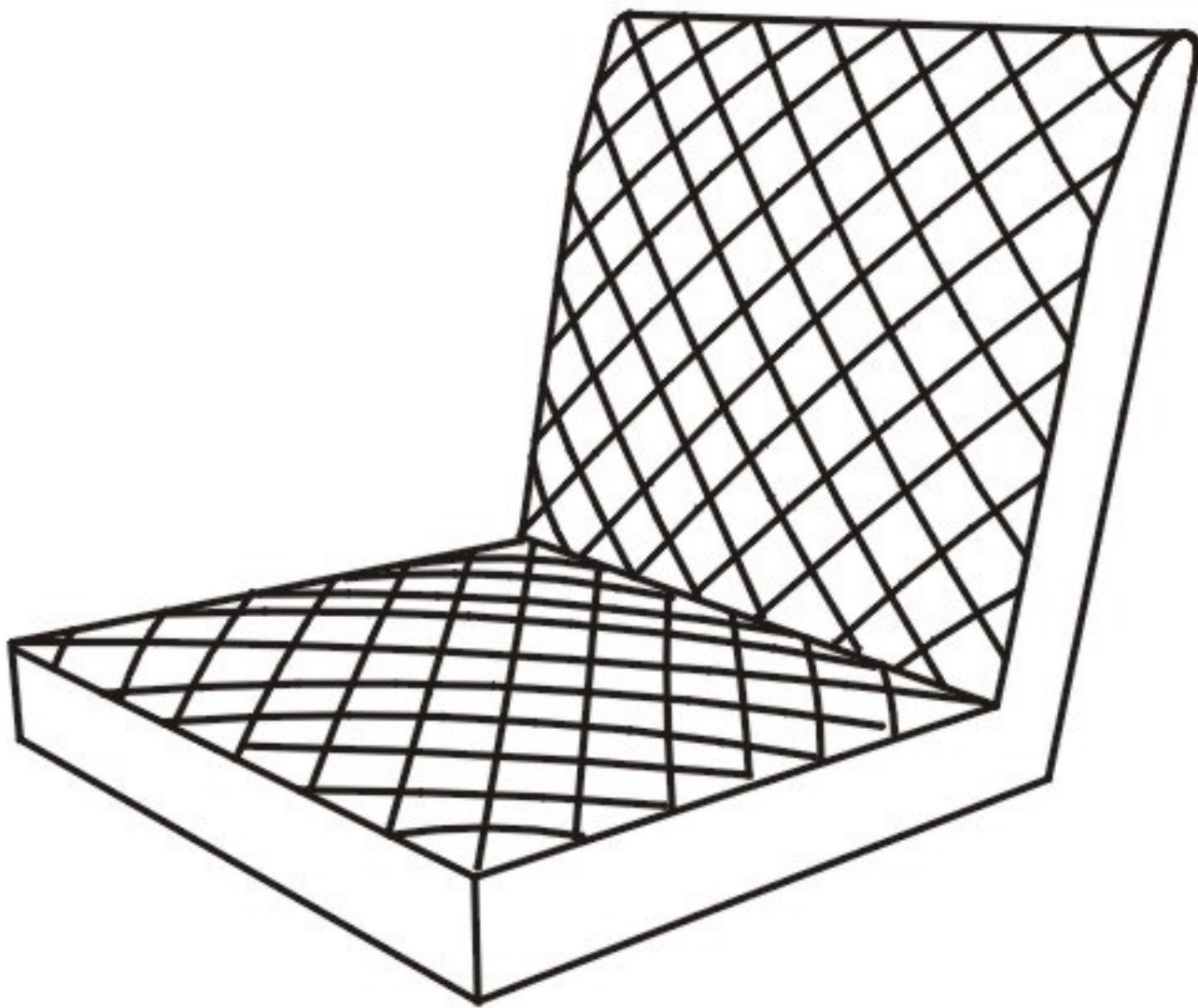
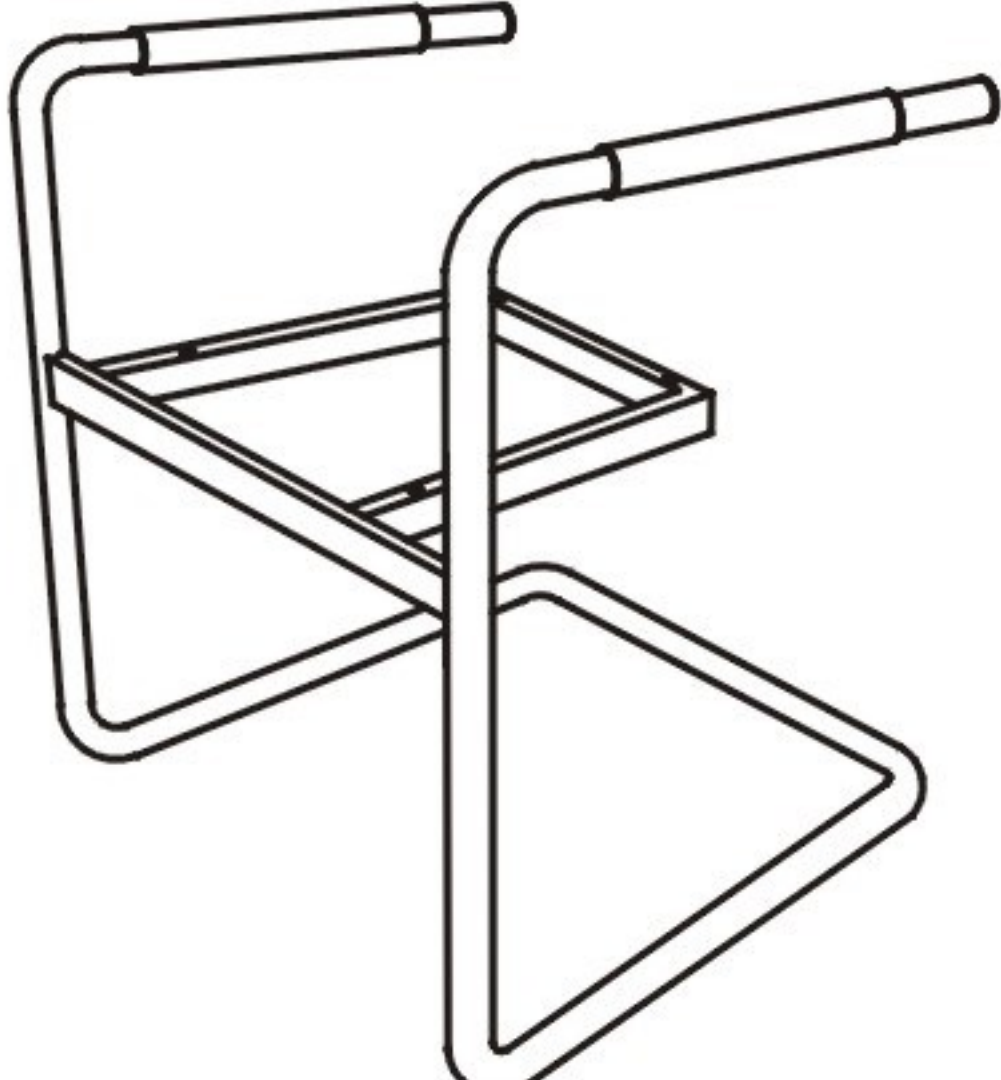


ITEM NAME /NOM D' ITEM:QUILTARM CHAIR

ITEM # /NO. ITEM:100189 (BLACK/NOIR)

100190 (WHITE/BLANC)

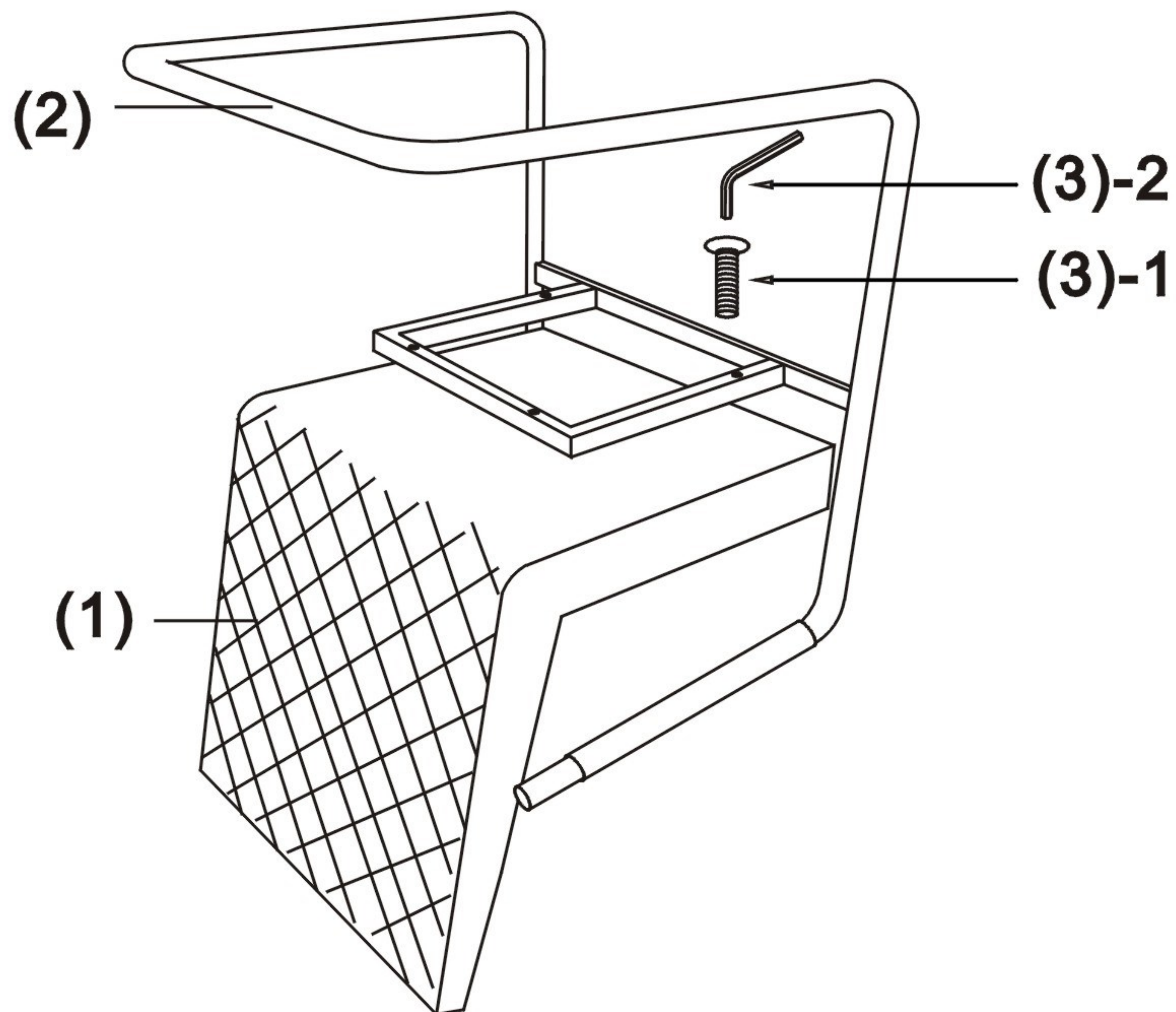
Enquiry:parts@zuomod.com

PART LIST/Liste des pièces

(1)	(2)	(3)
 X1	 X1	1.  X4 M6*45mm 2.  X1

INSTRUCTION

A



B

