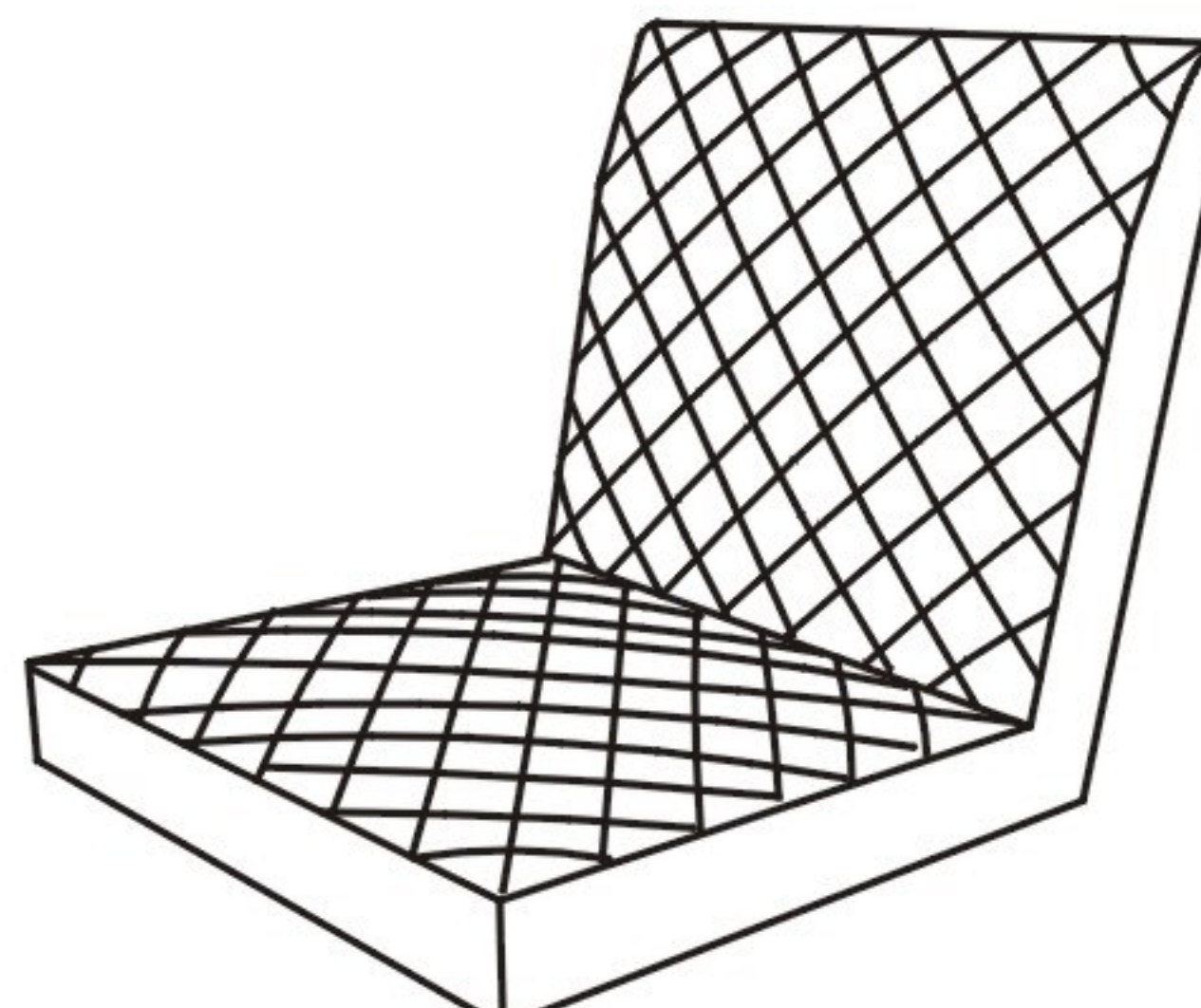
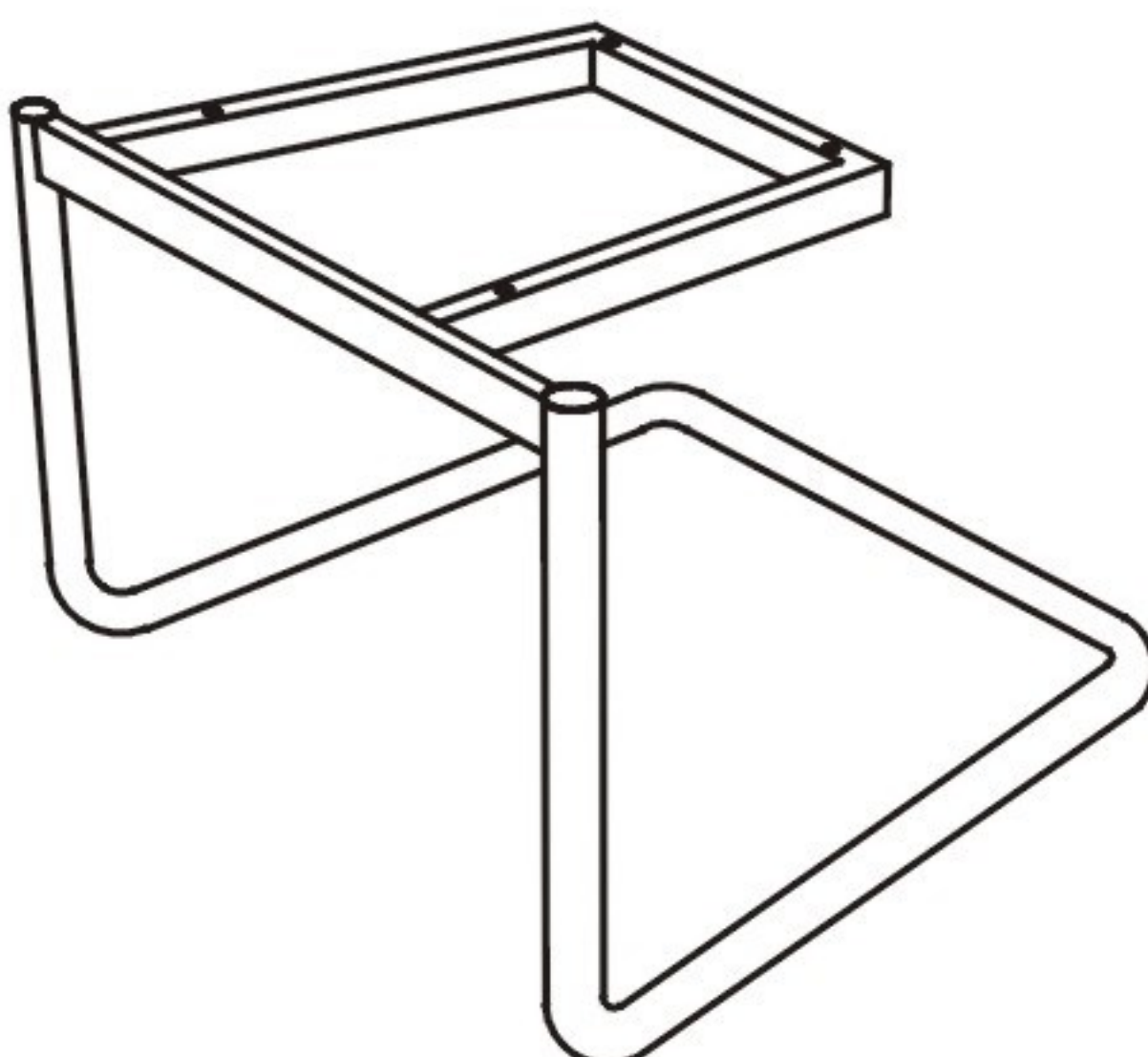




**ITEM NAME /NOM D' ITEM: QUILT CHAIR**  
ITEM # /NO. ITEM: 100187 (BLACK/NOIR)  
100188 (WHITE/BLANC)

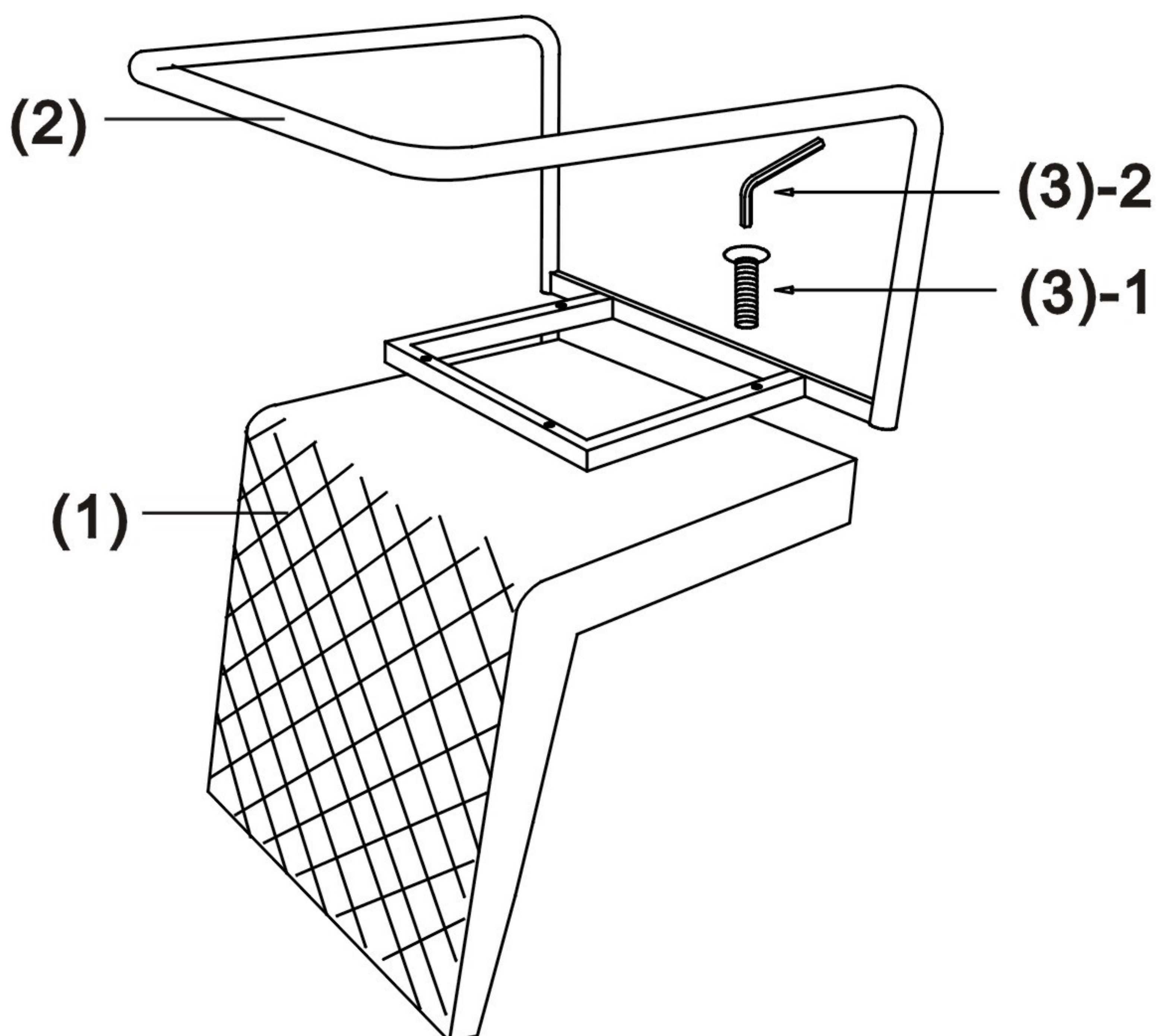
Enquiry: parts@zuomod.com

## PART LIST/Liste des pièces

(1)	(2)	(3)
 <p>X1</p>	 <p>X1</p>	<p>1.  X4 M6*45mm</p> <p>2.  X1</p>

## INSTRUCTION

**A**



**B**

