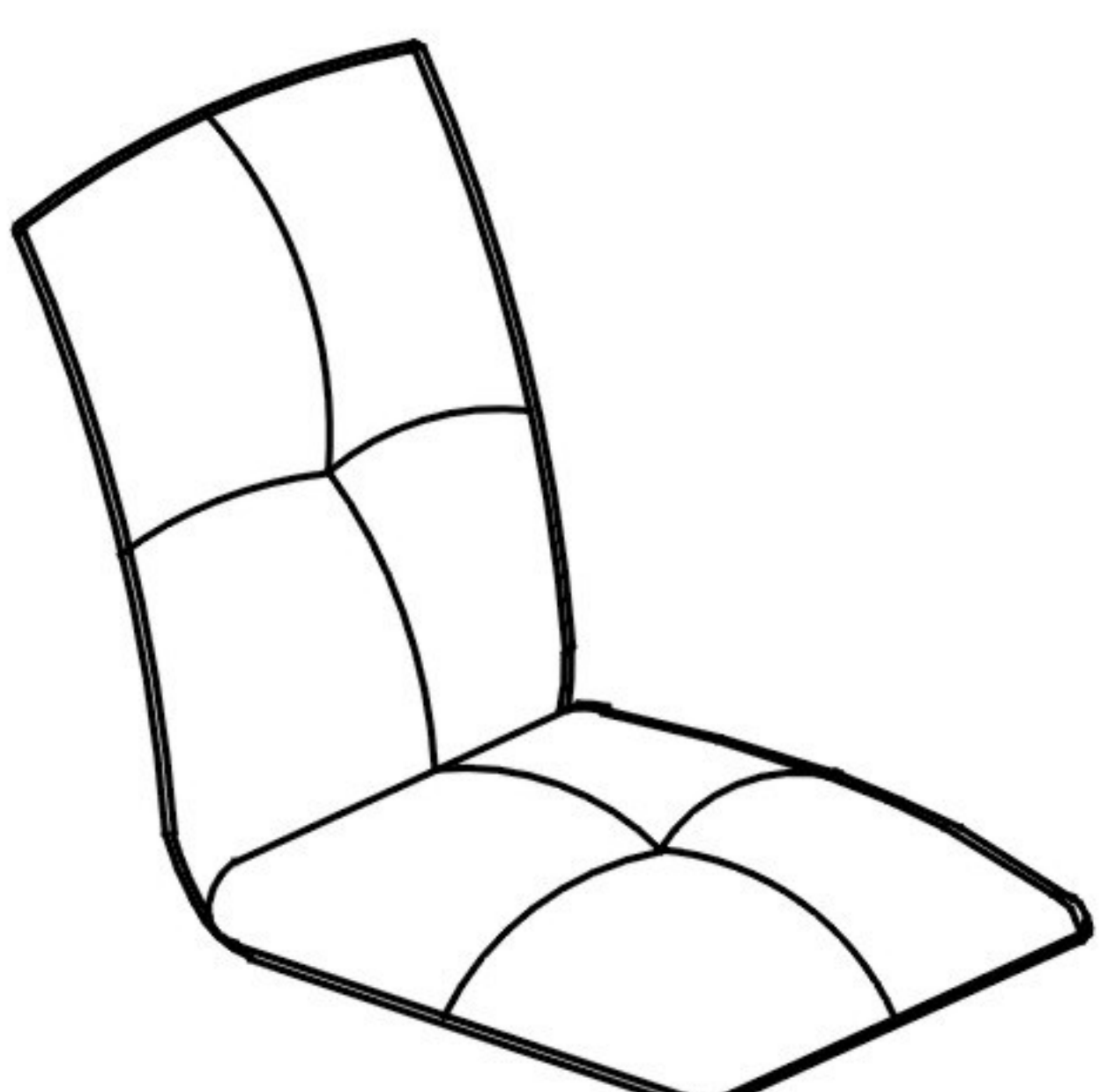
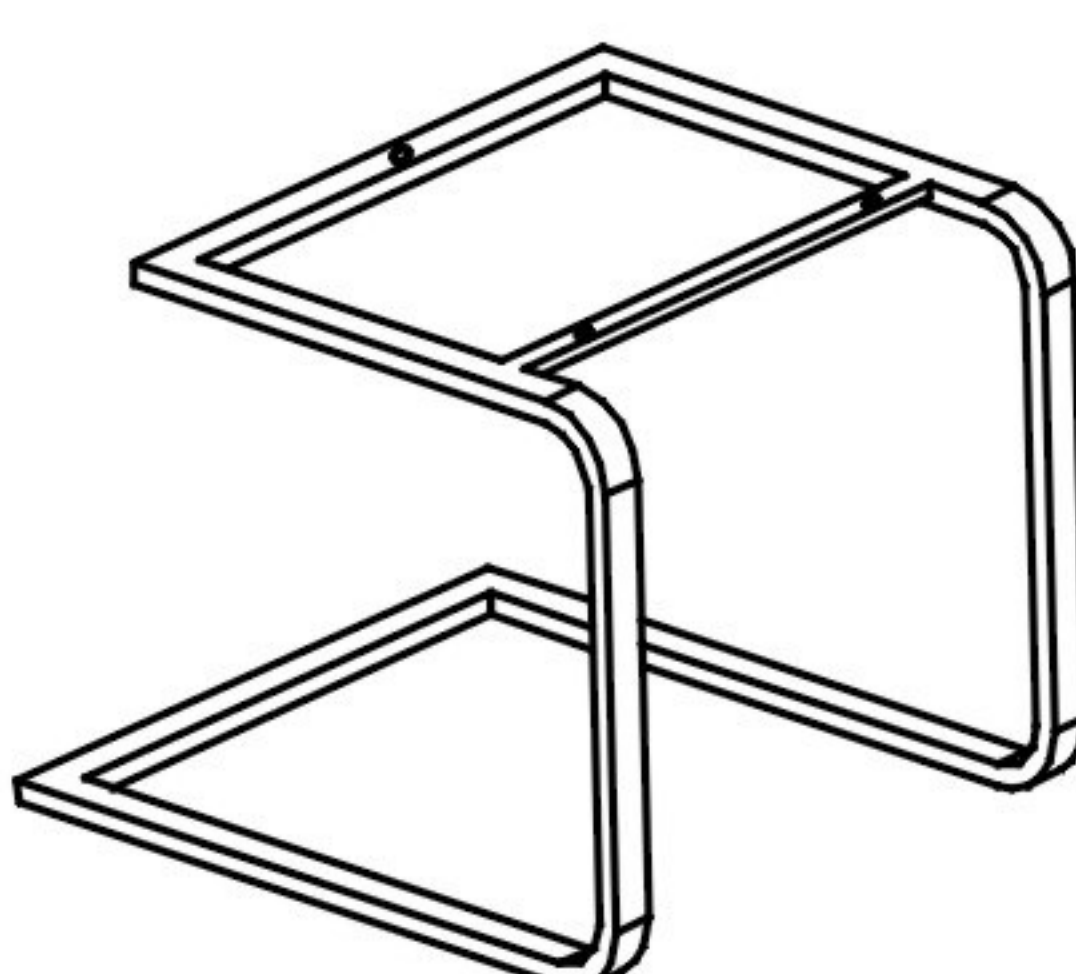





# ITEM NAME /NOM D' ITEM:ANJOU CHAIR

ITEM # /NO. ITEM:100120 (BLACK/NOIR) 100121 (WHITE/BLANC)  
100122 (TAUPE)  
100123(GRAY TEXTURE FABRIC)

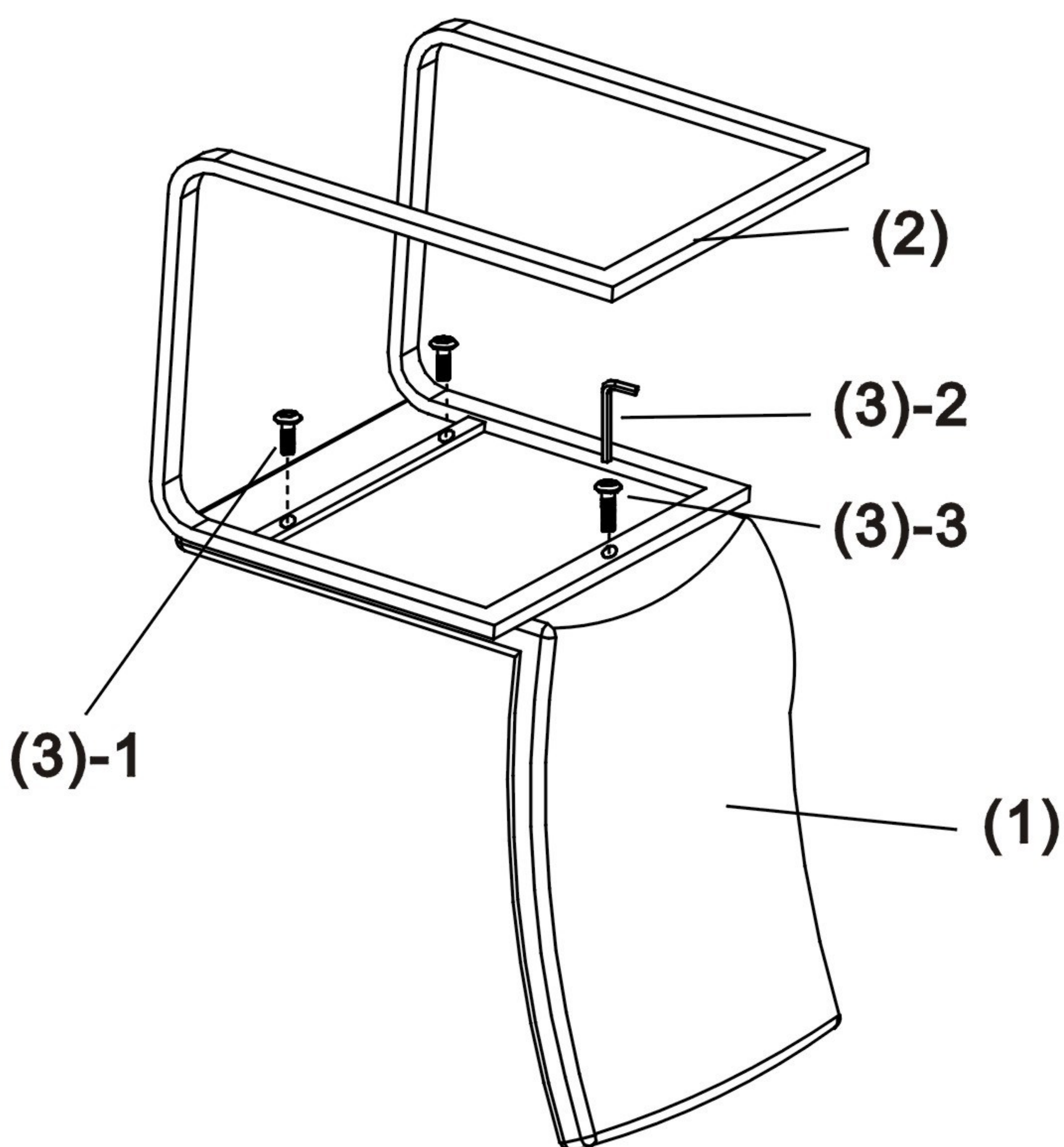
Enquiry:parts@zuomod.com

## PART LIST/Liste des pièces

(1)	(2)	(3)
 X1	 X1	1.  X2 M6*20mm 2.  X1 M6*35mm 3.  X1

## INSTRUCTION

**A**



**B**

