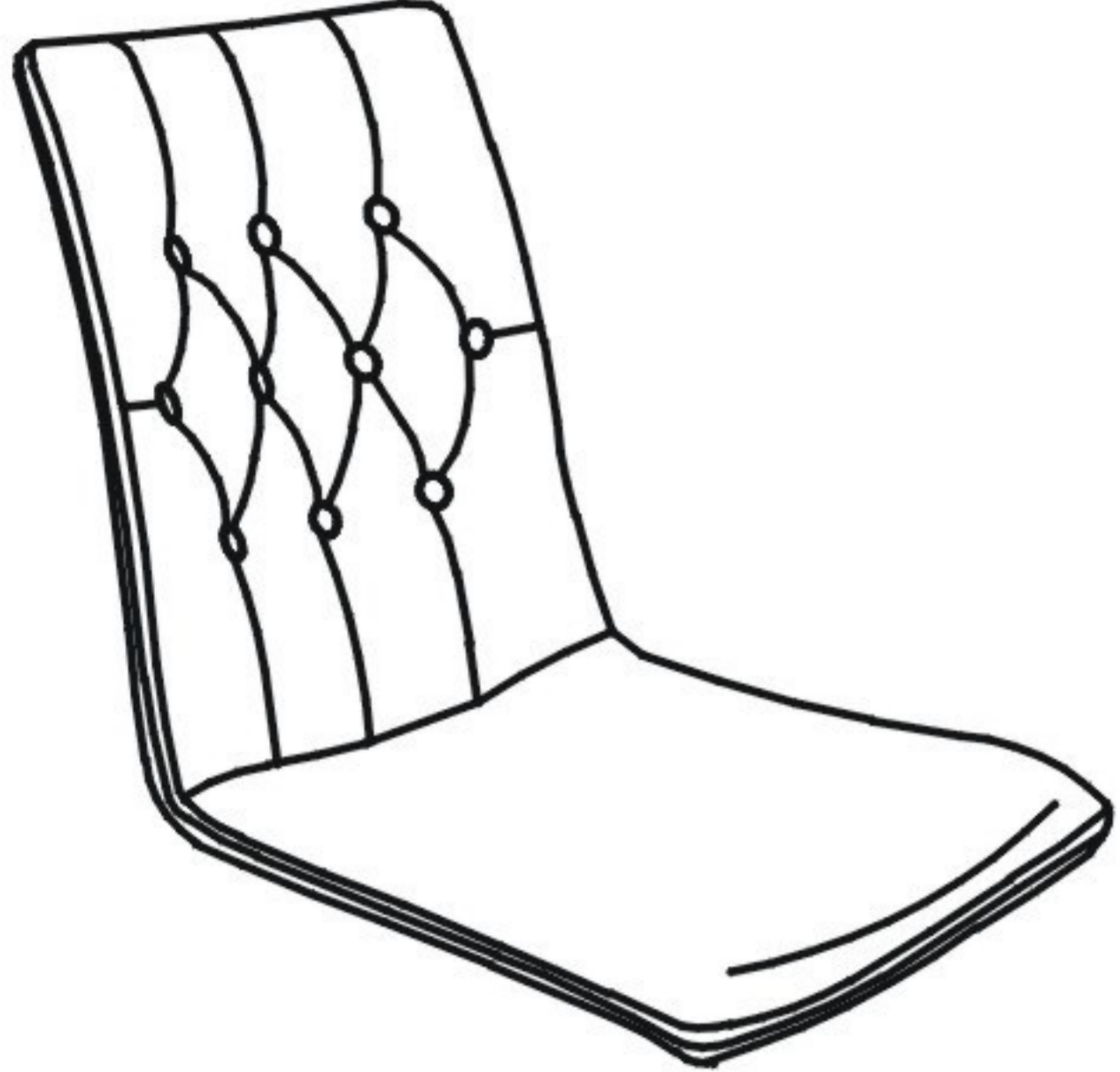
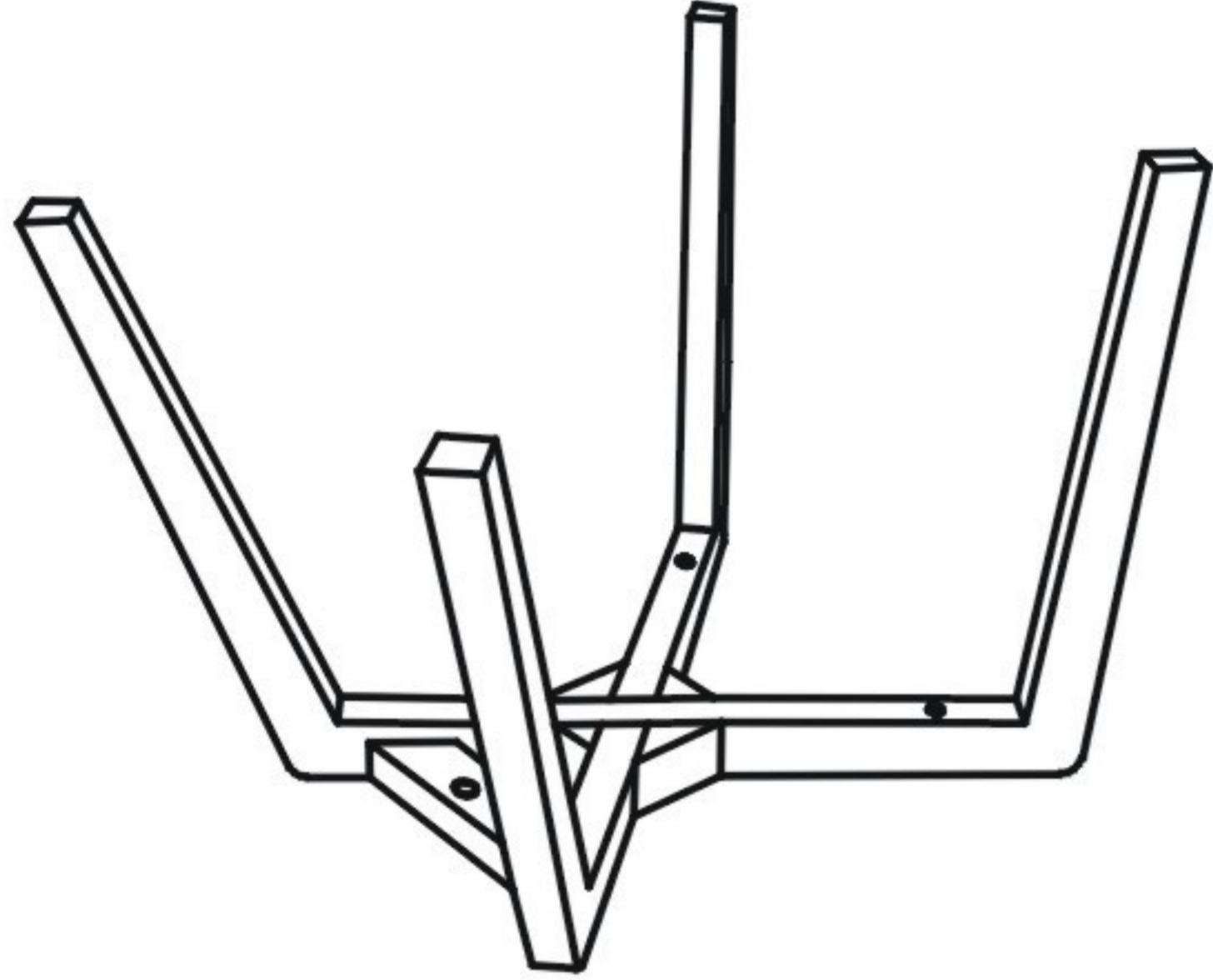






ITEM NAME /NOM D' ITEM: OREBRO CHAIR

ITEM # /NO. ITEM: 100070 (TABACCO) 100071 (GRAPHITE)
100072 (PEA)

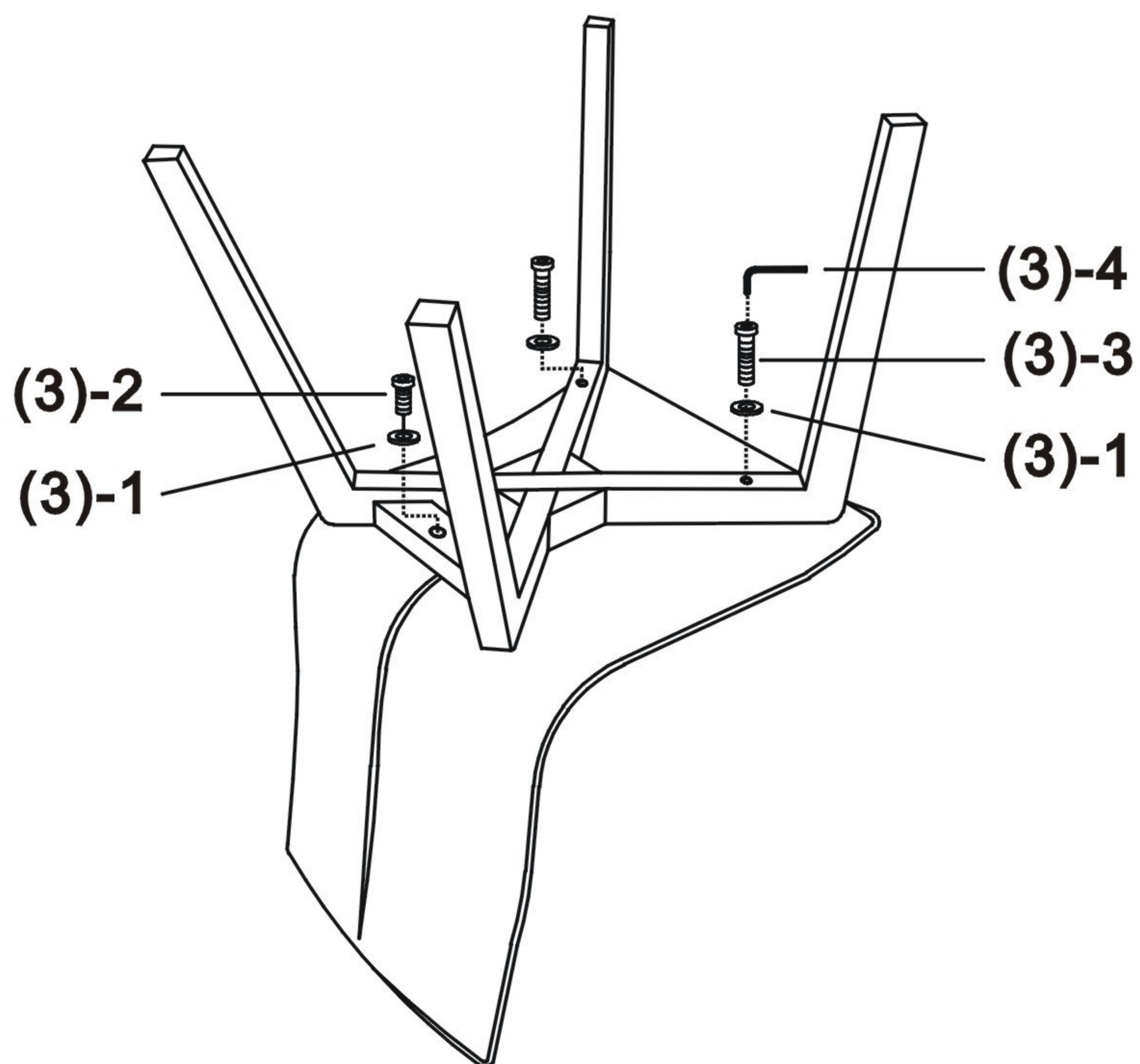
Enquiry: parts@zuomod.com

PART LIST/Liste des pièces

(1)	(2)	(3)
 X1	 X1	<ol style="list-style-type: none"> X3 $\phi 6$ X1 M6*50 X2 M6*75 X1

INSTRUCTION

A



B

